



Model P-10/G-TP
Planter with hot dip
galvanized frame and
treated #1 Southern
Yellow Pine
2" x 4" slats.



Model P-10/G-PY
Planter with hot dip
galvanized frame and
yellow recycled plastic
2" x 4" slats.

- **Hot dip galvanized frame**
- **2" x 4" slats**
- **Includes rigid plastic liner**
- **Matches our lumber or recycled plastic receptacles, benches, and tables**

SPECIFICATIONS:

- **Model P-10 Series** planters are a set of two welded rings. Top ring is constructed from 10 ga. x 2-3/8" formed steel angle rolled, flanged inward, to a 22-5/32" I.D. circular ring. Base ring is constructed from 10 ga. x 2" formed steel angle rolled, flanged outward, to a 22-7/16" I.D. circular ring, reinforced with die-formed cross braces of 10 ga. x 2" steel bar. Includes holes for surface anchoring (anchors not included).
- Assembled planter is a nominal 25" high with an outside diameter of 26-1/2" and an inside diameter of 22".
- All fasteners are provided for assembly.
- Includes a 20" tall x 20" (nom.) dia. rigid plastic liner.
- **Standard:** Rings are hot-dip galvanized after fabrication to ASTM-A123 to maintain an average zinc coating of 2.0 oz. per sq. ft. of surface area (indicated by "/G" in model no., e.g. P-10/G-TP).
- **Standard:** Lumber is nominal 2" x 4" #1 grade Southern Yellow Pine pressure treated (KDAT) to preserve wood against decay (indicated by "TP" in model no., e.g. P-10/G-TP).
- **Optional:** Slats are made of 100% Recycled Plastic molded into 2" x 4" nominal sized planks with solid Cedar color (indicated by "PC" in model no., e.g. P-10/G-PC) formed throughout and a U.V. stabilizer added for ultra-violet protection.
- All slats are precision drilled for assembly and have all exposed edges removed to a 3/8" radius.
- **Optional:** All steel frame components have powder coat finish. See Specification Bulletin #SPC-CO-001.
- **Optional:** Color choices of Recycled Plastic components. See Specification Bulletin #SPC-CO-001.

AVAILABLE OPTIONS

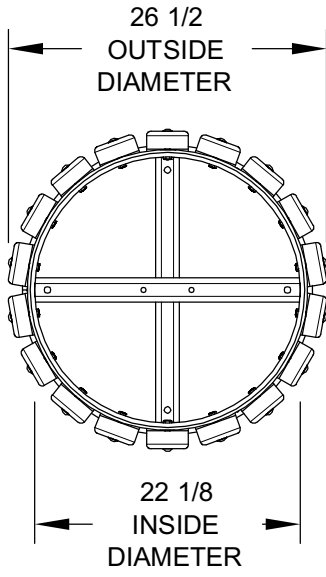
- Lumber or recycled plastic slats
- Powder coat finish in choice of colors for steel frame components
- Choice of colors of recycled plastic

RJThomas Mfg. Co., Inc.

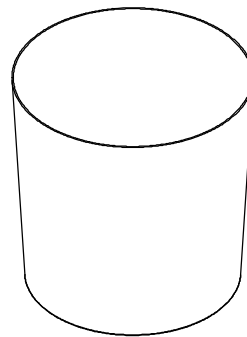
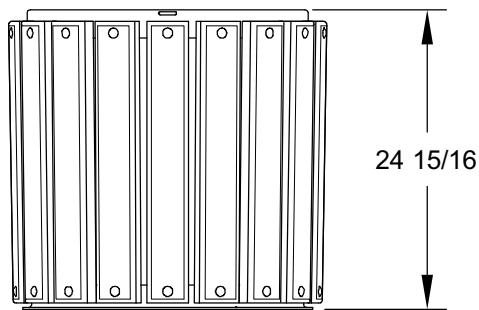
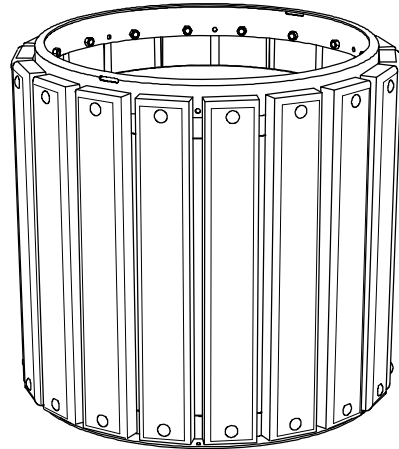
PO Box 946 • Cherokee, IA 51012-0946 • PH: 712-225-5115 • 800-762-5002 • FAX: 712-225-5796

E-Mail: pilotrock@rjthomas.com • Web Site: <http://www.pilotrock.com>

© 2011 RJThomas Mfg. Co., Inc. PILOT ROCK® Park Products is a registered trademark of RJThomas Mfg. Co., Inc.



SHOWN WITHOUT
INCLUDED LINER



INCLUDED RIGID
PLASTIC LINER

ALL DIMENSIONS IN INCHES

RJThomas
Mfg. Co., Inc.
P.O. Box 946
Cherokee, IA 51012

TITLE **P-10 SERIES PLANTER WITH 2" X 4" LUMBER
OR RECYCLED PLASTIC SLATS**

DRAWN BY	WWM
DATE	2-17-11
DWG. NO.	AI-1984