

P-22 Series Planter with Vertical Steel Straps



Model P-22/CU Planter with blue powder coated vertical steel straps.

- **Vertical Steel Strap matches our benches and trash receptacles**
- **Powder coat finish**
- **Includes rigid plastic liner**

AVAILABLE OPTIONS

Powder coat finish in choice of colors

SPECIFICATIONS:

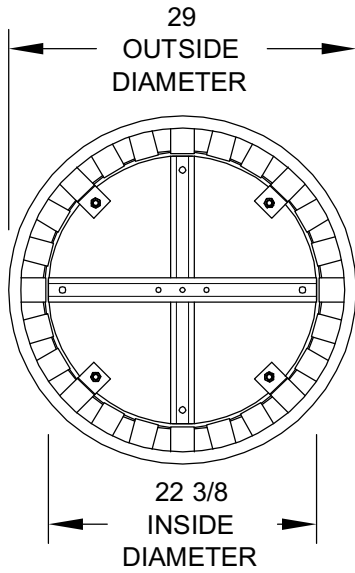
- **Model P-22 Series** planter is a single welded construction of evenly spaced vertical 1/8" thick x 2" wide steel straps. This round container features a flared top with a formed 1" dia. round tube ring to provide strength. Base is a 10 ga. x 1-1/2" flanged steel ring reinforced with die-formed cross braces of 10 ga. x 2" steel bar which facilitates anchoring of planter to hard surfaces.
- **Standard:** Four threaded adjustable levelers are located inside the base of the planter.
- Planter is a nominal 23" high with a 29" outside diameter and a 22-3/8" inside diameter.
- **Standard:** Planter has a black powder coat finish (indicated by "/CB" in model no., e.g. P-22/CB).
- **Optional:** Choice of powder coat colors. See Specification Bulletin #SPC-CO-001.
- **Optional:** Four 3/8" x 3" screw anchors (anchor kit #ANC3-4) for hard surface mounting.

RJThomas Mfg. Co., Inc.

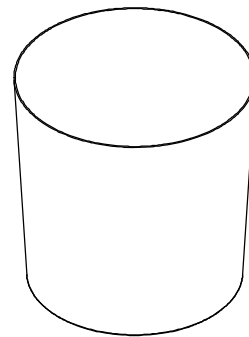
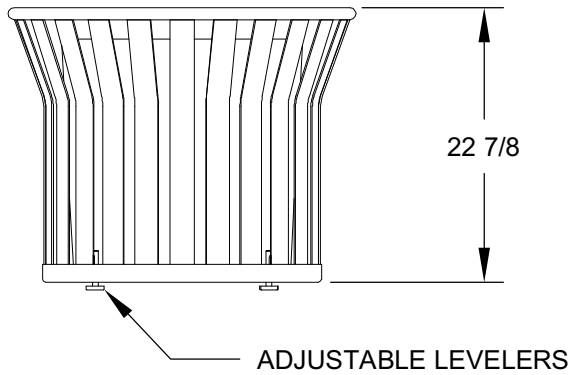
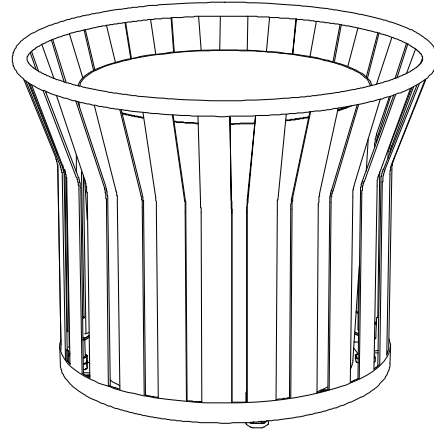
PO Box 946 • Cherokee, IA 51012-0946 • PH: 712-225-5115 • 800-762-5002 • FAX: 712-225-5796

E-Mail: pilotrock@rjthomas.com • Web Site: <http://www.pilotrock.com>

© 2011 RJThomas Mfg. Co., Inc. PILOT ROCK® Park Products is a registered trademark of RJThomas Mfg. Co., Inc.



SHOWN WITHOUT
INCLUDED LINER



INCLUDED RIGID
PLASTIC LINER

ALL DIMENSIONS IN INCHES

RJThomas
Mfg. Co., Inc.
P.O. Box 946
Cherokee, IA 51012

TITLE **MODEL P-22 PLANTER WITH VERTICAL STEEL STRAPS**

DRAWN BY	WWM
DATE	1-28-13
DWG. NO.	AI-1985