



Model CN-R/SP2/TU-32 Round Cut Steel Plate Trash Receptacle Holder for 32 gal. containers, blue Thermo-plastic coated. Shown with optional CN-PD/B-24 Plastic Dome Lid.

- **32 gallon capacity**
- **Welded Steel Fabrication**
- **Thermo-plastic coated finish**
- **Large choice of color, lid, liner, and mounting options**

MOUNTING OPTIONS

Model M2/G Embedded Pedestal Mount:
 elevated concrete embedded installation

Model M3/G Surface Pedestal Mount:
 elevated base plate on concrete installation

Model M6/B Surface Ground Anchors:
 four steel rod anchors for temporary location in lawns or on soft dirt.

CAN AND LINER OPTIONS

Model CNG-2310CL: Regular-duty, 31 gal. capacity, galvanized steel can with lid

Model CN/B-1827: 36 gal. capacity, heavy-duty, rigid plastic liner

Model CN-4132CL: 30 gal. capacity, plastic liner with lid

Model CNG-WHD32CL: Federal Duty, 32 gal. capacity, galvanized steel can with lid

SPECIFICATIONS:

- **Model CN-R/SP2-32** is a 32 gal. capacity trash receptacle with all-welded construction, fabricated from a decorative horizontal diamond pattern cut into a 10 ga. thick steel plate (indicated by "/SP2" in model no., e.g. CN-R/SP2/TW-32) formed into a cylindrical shape 23-3/8" O.D. x 22-7/8" I.D. x 30" high.
- The receptacle is reinforced with 10 ga. top and bottom rings and die-formed cross braces across the bottom providing holes for anchoring options.
- **Standard:** All steel surfaces of the receptacle are covered with a thermo-plastic coating in a Brown color (indicated by "/TW" in model no., e.g. CN-R/SP2/TW-32). The UV-stabilized thermo-plastic coating is applied in a multi step process of material preparation and finish application designed to permanently heat fuse and bond the finish to the steel. The thermo-plastic polyethylene finish is impact resistant, does not support mold or mildew, and the textured matte surface is less susceptible to marring and scuffing.
- **Optional:** Color choices of thermo-plastic coated steel components. See Specification Bulletin #SPC-CO-001.

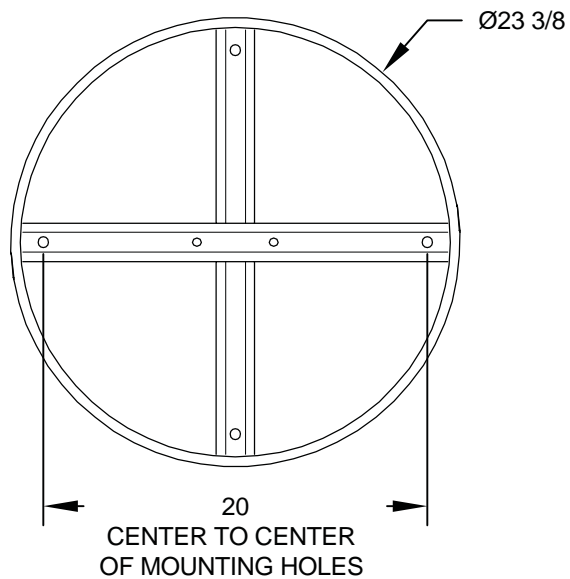
LID OPTIONS

- **Model CN-PD/◆-24** Pilot Rock Plastic Dome Hatch Lid
- **Model CN-PD/◆-24PC Series** Pilot Rock Plastic Dome Recycling Lid
- **Model CN/◆-4455** Plastic Dome Hatch Lid
- **Model CN/G-5555** Galvanized or Powder Coated Steel Dome Hatch Lid
- **Model CN-SDR-24** Plastic Dome lid.
- **Model T◆-24X** Flat Steel Lid
- **Model T◆-24** Flat Steel Lid with a spring-loaded 10" dia. Hatch
- **Model T◆-24PC Series** Flat Steel Recycling Lids with 3" dia. opening, with 4-3/8" dia. opening, or with 5-7/8" dia. opening
- **Model T/◆-2410** Flat Steel Lid with 10" opening
- **Model T/◆-2410R** Flat Steel Lid with 10" opening and rain cover
- **Model T/◆-2410A** Flat Steel Lid with 10" opening, rain cover and ashtray
- **Model T/◆-246** Recycling Lid, flat, Thermo-plastic Coated Steel with 5-3/4" dia. opening
- **Model CN/B-1825** Flat Molded Plastic Lid with 10" center opening
- **Model CN/B-55FT** Flat Molded Plastic Lid with 15" center opening
- **Model CN/B-3030** Black Molded Plastic Canopy Lid with openings at each end
- **Model CN-PR/◆-24PC Series** Recycled Plastic Flat Lids with 3" dia. opening, with 4-3/8" dia. opening or with 5-7/8" dia. opening
 - ◆ Indicates choice of finish or color — Inquire for specific model options

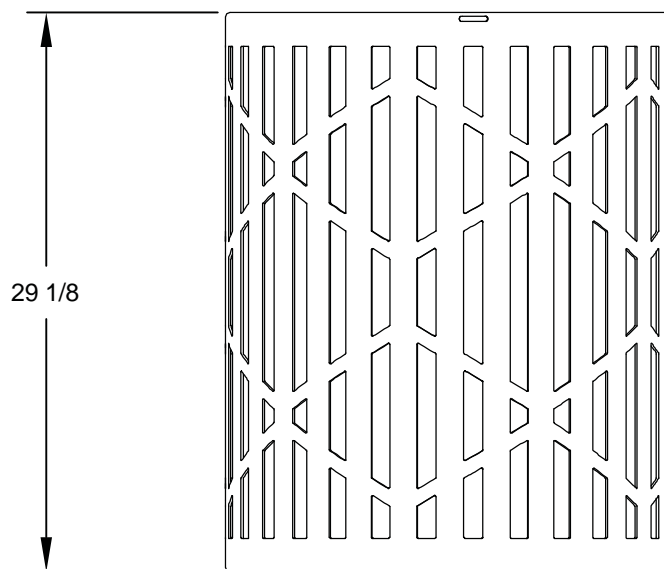
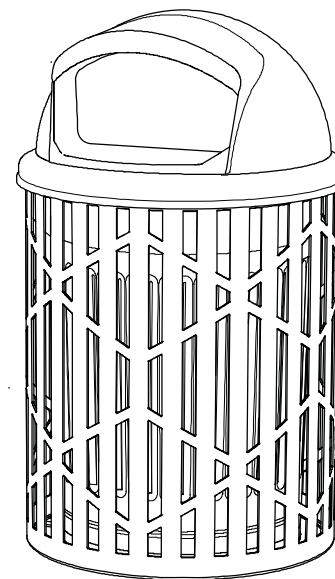
RJ Thomas Mfg. Co., Inc.

PO Box 946 • Cherokee, IA 51012-0946 • PH: 712-225-5115 • 800-762-5002 • FAX: 712-225-5796
 E-mail: pilotrock@rjthomas.com • Web Site: <http://www.pilotrock.com>

© 2019 RJ Thomas Mfg. Co., Inc. PILOT ROCK® Park Products is a registered trademark of RJ Thomas Mfg. Co., Inc.



**MODEL CN-R/SP2-32
SHOWN WITH OPTIONAL
MODEL CN-PD/24
PLASTIC DOME LID**



ALL DIMENSIONS IN INCHES

RJThomas Mfg. Co., Inc.
P.O. Box 946 • Cherokee, IA 51012-0946

DRAWN BY
WWM

TITLE **CN-R/SP2-32 SERIES ROUND THERMO-PLASTIC COATED CUT STEEL PLATE TRASH
RECEPTACLE FOR 32 GALLON CAPACITY CANS**

DATE 1-20-11

DWG. NO. **AI-1980**