



Model XT/G-12UP/SA 12 Ft. Wheelchair Accessible Extra Heavy Duty Portable Rectangular Table with Hot Dip Galvanized Frame and Untreated #1 Southern Yellow Pine Lumber Planks. Table provides access for two wheelchairs.

- **Constructed specifically for heavy use areas**
- **ADA compliant access for two wheelchairs**
- **Nontip, nontrip, walk-through design**
- **All welded end frames are fabricated from 2-3/8" diameter steel pipe**
- **Die-formed center channel and diagonal braces align and strengthen entire table**
- **Frames are hot dip galvanized after fabrication for superior corrosion resistance**
- **Precision drilled, Untreated #1 Southern Yellow Pine Seat and Top Planks**
- **Limited lifetime warranty on frames**

AVAILABLE OPTIONS

10 or 12 ft. lengths

Powder Coat Finish in choice of colors for steel frame components

Pressure treated #1 Southern Yellow Pine lumber (Cedar, Fir, or Redwood lumber when in stock)

SPECIFICATIONS:

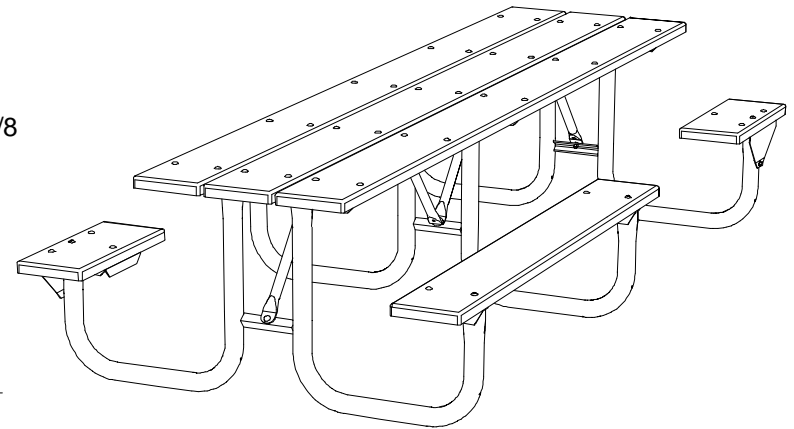
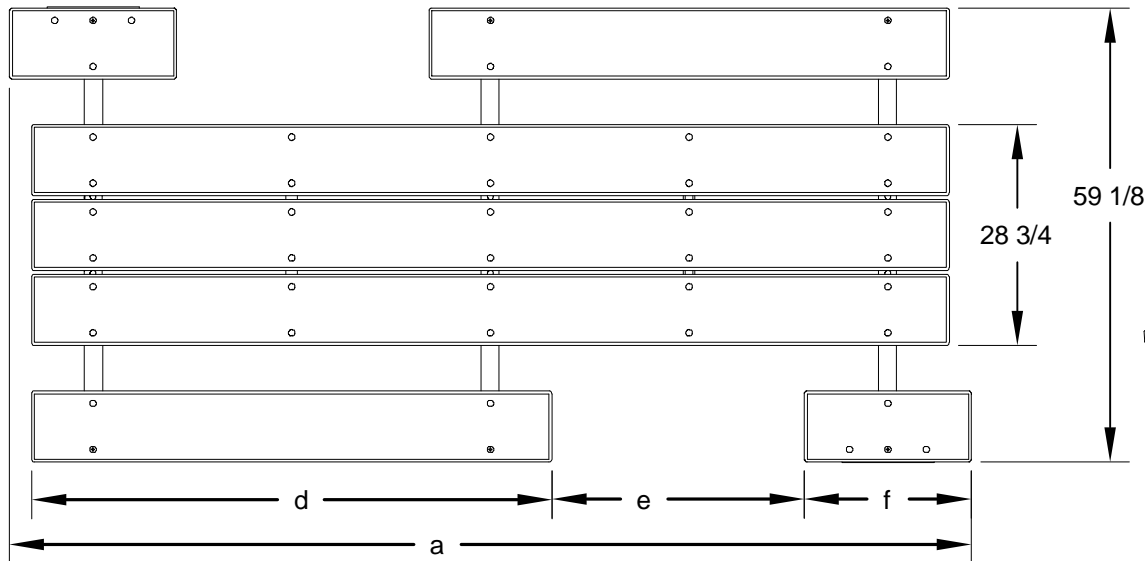
- **XT Series** end frames are one-piece welded construction, fabricated from 2.375" O.D. (2-3/8" O.D.) steel pipe to meet 2" nominal steel pipe size specifications with 2" x 2" x 3/16" A-36 structural grade steel angle for attaching the seats and top.
- Table frame design incorporates nontip, nontrip, walk-through design features.
- Table provides two wheelchair spaces created by attaching one short seat and one long seat to end frames diagonally opposite each other. Short seats are supported by a 11 ga. steel plate bracket. Gap between seats create a ADA recommended space of 30" wide, 19" deep, and 27" from ground to bottom of table top for knee space, and minimum 9" above ground extending a total of 24" deep for toe space. Indicated by "/SA" at end of model no., e.g. XT/G-10UP/SA
- **Model XT/G-10UP/SA** is a nominal 10 ft. long with three frames, one 21-3/4" long seat and one 67-1/4" long seat on each side.
- **Model XT/G-12UP/SA** is a nominal 12 ft. long with three frames, one 21-3/4" long seat and one 82-5/8" long seat on each side.
- Nominal table height is 30". Nominal seat height is 18".
- Frames are supported by diagonal braces of 1-5/16" O.D. x 14 ga. wall steel pipe that connect to a die-formed steel channel designed to align and provide attachment to the table top.
- All fasteners are provided for assembly.
- **Standard:** All steel frame components are hot-dip galvanized after fabrication to ASTM-A123 to maintain an average zinc coating of 2.0 oz. per sq. ft. of surface area (indicated by "/G" in model no., e.g. XT/G-10UP/SA).
- **Standard:** Lumber is Untreated #1 grade Southern Yellow Pine (indicated by "UP" in model no., e.g. XT/G-10UP/SA) 2" x 10" nominal sized planks, kiln dried to reduce moisture content. All lumber is precision drilled to facilitate assembly and has all exposed edges removed to a 3/8" radius.
- **Optional:** All steel frame components have powder coat finish. See Specification Bulletin #SPC-CO-001.
- **Optional:** Treated #1 Southern Yellow Pine is readily available and is pressure treated and kiln dried after treatment (KDAT) to preserve wood against decay. (To specify, change "UP" in model no. to "TP", e.g. XT/G-10TP/SA.) (Cedar, Fir, and Redwood are available when in stock – please inquire.)

RJThomas Mfg. Co., Inc.

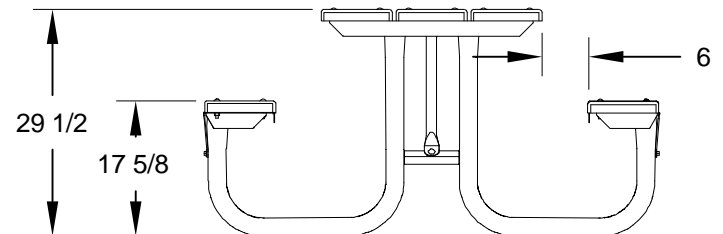
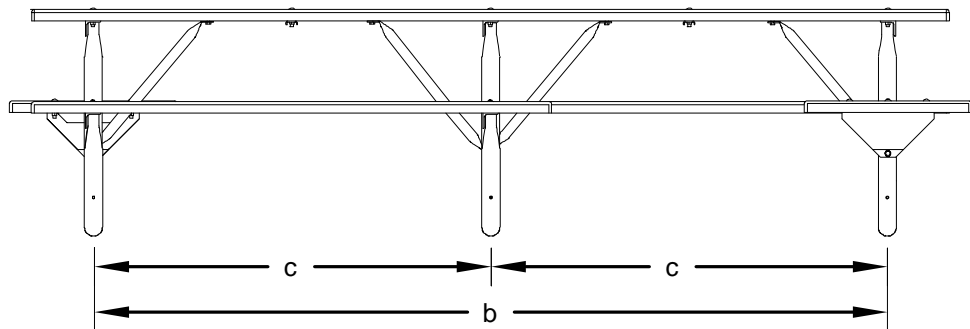
PO Box 946 • Cherokee, IA 51012-0946 • PH: 712-225-5115 • 800-762-5002 • FAX: 712-225-5796

E-mail: pilotrock@rjthomas.com • Web Site: <http://www.pilotrock.com>

© 2008 RJThomas Mfg. Co., Inc. PILOT ROCK® Park Products is a registered trademark of RJThomas Mfg. Co., Inc.



MODEL NUMBER	DIMENSION					
	a	b	c	d	e	f
XT/G-10/SA	125 1/4	103 1/2	51 3/4	67 3/4	32 7/8	21 3/4
XT/G-12/SA	143 1/2	121 3/4	60 7/8	82 5/8	39 1/8	21 3/4



Pilot Rock side access picnic tables conform with ADA guidelines for proper clearance to provide wheelchair accessibility

ALL DIMENSIONS IN INCHES

R. J. **THOMAS MFG. CO., INC.**
P.O. Box 946 • Cherokee, IA 51012

DRAWN BY
WWM

TITLE XT SERIES 10 AND 12 FOOT WHEELCHAIR ACCESSIBLE SIDE ACCESS PORTABLE
RECTANGULAR TABLES WITH LUMBER TOP AND SEAT PLANKS

DATE 3-04-05

DWG. NO. **AI-1492**