



**Model APT/P/CB-6RR/E1** 6 ft. Wheelchair Accessible Multi Pedestal Table, extended 1 ft. each end, optional Base Plate Mount Table with Black Powder Coated Frame and Red R-Type Thermo-plastic Coated Perforated Steel Top and Seats

- **ADA compliant wheelchair accessibility at both ends**
- **Permanent embedded mounting**
- **Nontrip, walk-through design**
- **Sturdy 3" x 6" rectangular steel tube pedestals**
- **Frames are hot-dip galvanized after fabrication for superior corrosion resistance**
- **Thermo-plastic Coating heat fused to Perforated Steel Seats and Top for durability**
- **Thermo-plastic Coating formulated with U.V. stabilizers for ultraviolet protection**
- **Quality construction throughout**

#### AVAILABLE OPTIONS

- Choice of colors of Powder Coat Finish for steel frame components
- Choice of colors of Thermo-plastic Coated Perforated Steel
- Surface mount base plate

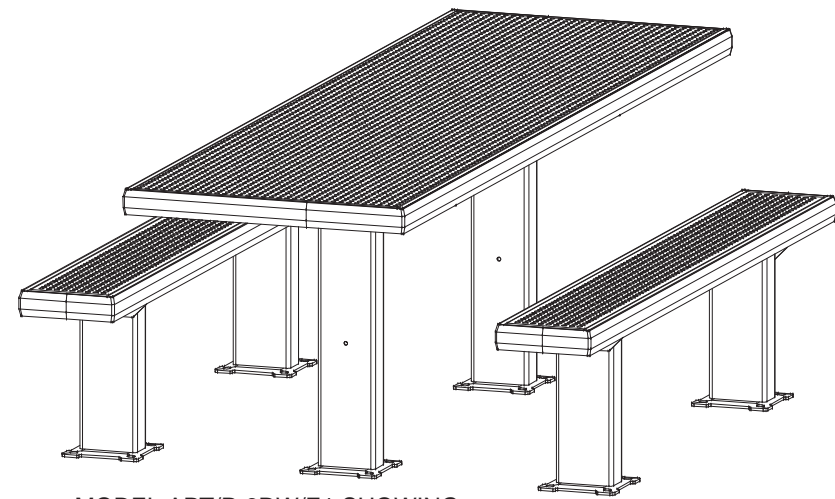
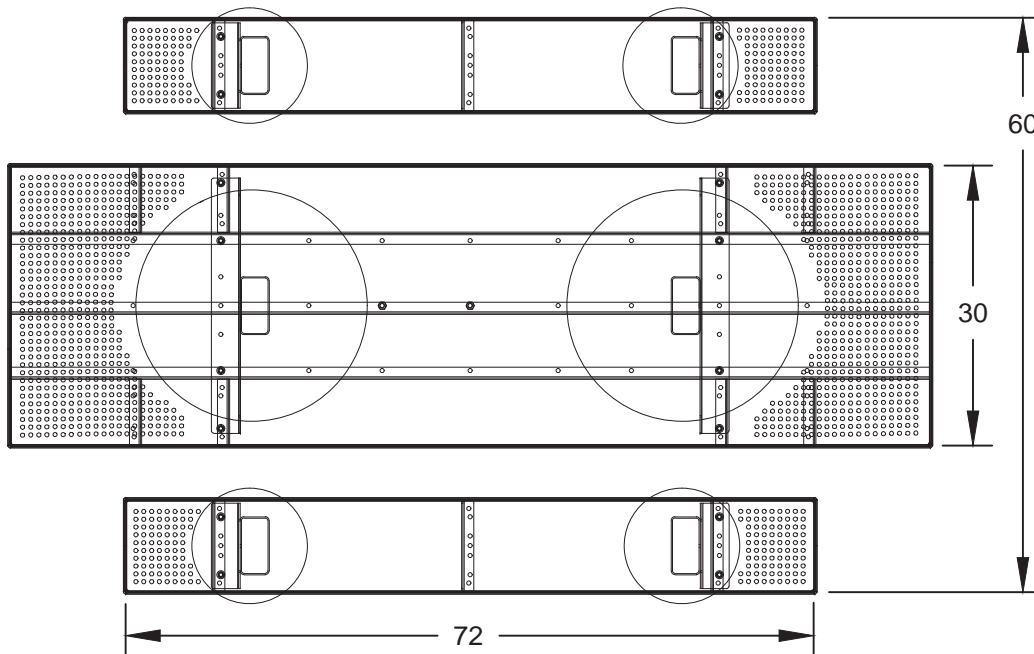
#### SPECIFICATIONS:

- **APT Series** Table top and seat end frames are one-piece welded construction, fabricated from 3" x 6" x 1/8" wall rectangular structural steel tubing with 2" x 2" x 3/16" A-36 structural grade steel angle for attaching the seats and tops. Exposed ends of rectangular tubing are permanently sealed with welded-on steel end caps. Frames are designed to be embedded in a concrete footing.
- Table top extends 1 ft. beyond seats (indicated by "/E1" in model no., e.g. APT/G-6RW/E1) to provide the ADA recommended wheelchair clearances of: 30" wide, 27" under table (ground to bottom of table top), and 24" total knee and toe clearance (19" + 5").
- **Model APT/G-6RW/E1** has a nominal 8 ft. long top and 6 ft. long seats.
- Nominal table height is 32". Nominal seat height is 18".
- **Standard:** All frame components are hot-dip galvanized after fabrication to ASTM-A123 to maintain an average zinc coating of 2.0 oz. per sq. ft. of surface area (indicated by "/G" in model no., e.g. APT/G-6RW/E1).
- **R-Type** table top (14 ga.) and seats (12 ga.) are each one-piece welded construction, fabricated from perforated steel, with 9/16" dia. holes in a 13/16" center to center in-line pattern, and 2" formed vertical edges on all sides and reinforced by a strap and angle substructure.
- **Standard:** All steel surfaces of the top and seats are covered with a thermo-plastic coating in a Brown color (indicated by "**RW**" in model no., e.g. APT/G-6RW/E1). The UV-stabilized thermo-plastic coating is applied in a multi step process of material preparation and finish application designed to permanently heat fuse and bond the finish to the steel. The thermo-plastic polyethylene finish is impact resistant, does not support mold or mildew, and the textured matte surface is less susceptible to marring and scuffing.
- All fasteners are provided for assembly.
- **Optional:** Color choices of thermo-plastic coated steel components. For optional colors choices see Specification Bulletin #SPC-CO-001.
- **Optional:** Color choices of powder coated steel frame components. For optional colors choices see Specification Bulletin #SPC-CO-001.
- **Optional:** Frames are provided with a 3/8" x 8" x 8" steel base plate to bolt table to existing concrete pad. To specify add "**P**" after the "APT" in the model no., e.g. APT/**P**/G-6RW/E1. (Anchor bolts not included.)

**RJ Thomas Mfg. Co., Inc.**

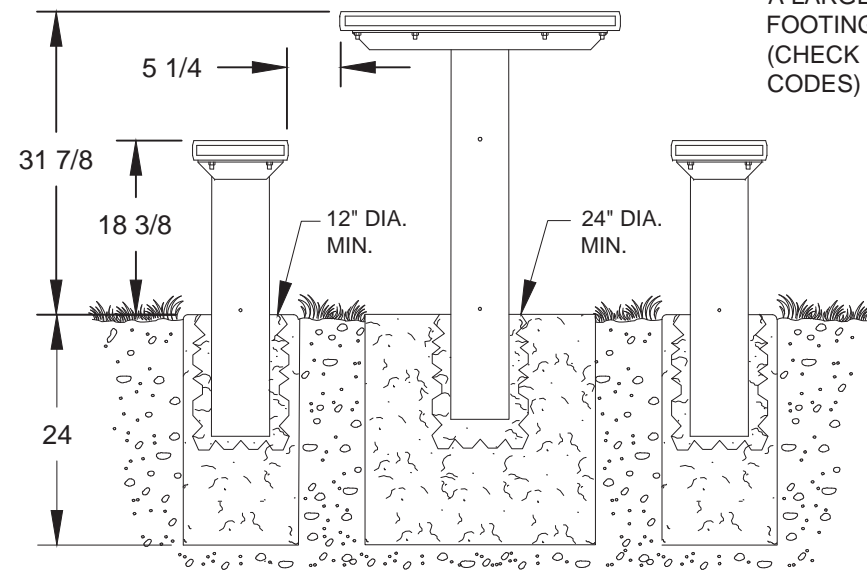
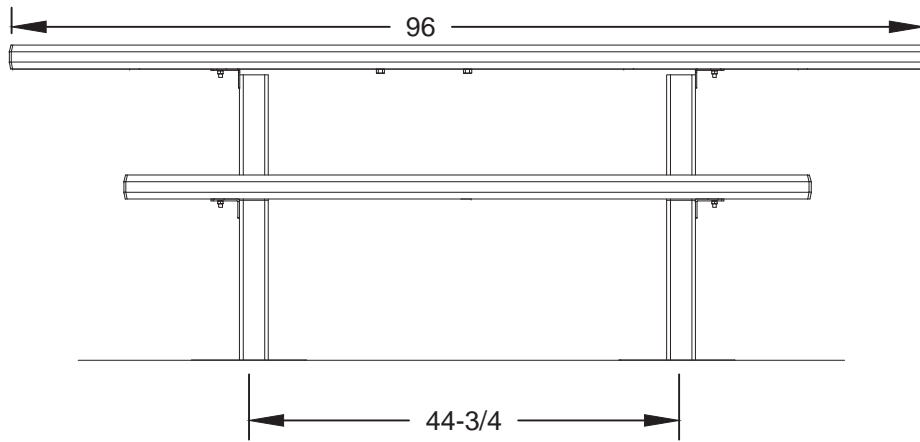
PO Box 946 • Cherokee, IA 51012-0946 • PH: 712-225-5115 • 800-762-5002 • FAX: 712-225-5796  
 E-mail: pilotrock@rjthomas.com • Web Site: <http://www.pilotrock.com>

© 2019 RJ Thomas Mfg. Co., Inc. PILOT ROCK® Park Products is a registered trademark of RJ Thomas Mfg. Co., Inc.



MODEL APT/P-6RW/E1 SHOWING  
OPTIONAL SURFACE MOUNT BASE PLATES

NOTE:  
LOCAL SOIL  
CONDITIONS  
MAY REQUIRE  
A LARGER  
FOOTING  
(CHECK LOCAL  
CODES)



ALL DIMENSIONS IN INCHES

**RJThomas Mfg. Co., Inc.**  
P.O. Box 946 • Cherokee, IA 51012-0946

DRAWN BY  
**JGJ**

TITLE **APT SERIES 6 FOOT EMBEDDED MOUNT WHEELCHAIR ACCESSIBLE  
MULTI PEDESTAL TABLE EXTENDED 1 FOOT EACH END  
WITH R-TYPE THERMO-PLASTIC PERFORATED STEEL TOP AND SEATS**

DATE **08-22-19**

DWG. NO. **AI-3008**