

AT Series 6 and 8 foot A-Frame Rectangular Table with Lumber Timbers and Planks



*Model AT/-6TP 6 ft. A-Frame Rectangular Table
with Treated Pine Legs Timbers and Top and Seat Planks.*

- **Traditional A-Frame design**
- **Sturdy 4" x 6" Treated #1 Southern Yellow Pine Legs**
- **Precision drilled, Treated #1 Southern Yellow Pine Seat and Top Planks**
- **Pregalvanized steel channel cross-member**
- **Quality construction throughout**

SPECIFICATIONS:

- **AT Series** end frames are constructed from two 4" x 6" nominal sized timbers forming the legs of the "A" with ends cut at angles to provide firm contact with ground surface. Legs are connected at top by a 10 ga. x 2" x 2" formed pregalvanized steel angle which also provides attachment of table top planks. A formed pregalvanized 10 ga. x 1-3/4" x 4" steel channel connects legs at seat height and extends beyond legs to provide mounting and support for seat planks.
- Table is supported by diagonal braces of 1-5/16" O.D. pregalvanized steel pipe that connect to a die-formed steel channel designed to align and provide attachment to the table top.
- **Model AT-6TP** shall have a nominal length of 72".
- **Model AT-8TP** shall have a nominal length of 96".
- All fasteners are provided for assembly.
- **Standard:** Legs are 4" x 6" nominal sized Treated #1 grade Southern Yellow Pine. Top and seat planks are 2" x 10" nominal sized Treated #1 grade Southern Yellow Pine planks, kiln dried to reduce moisture content. All lumber is precision drilled to facilitate assembly and has all exposed edges removed to a 3/8" radius.
- **Optional:** Color choices of powder coated steel frame components. To indicate Brown powder coat finish, add "/CW" after "AT" in model no.. e.g. AT/CW-6TP. For optional colors choices see Specification Bulletin #SPC-CO-001.

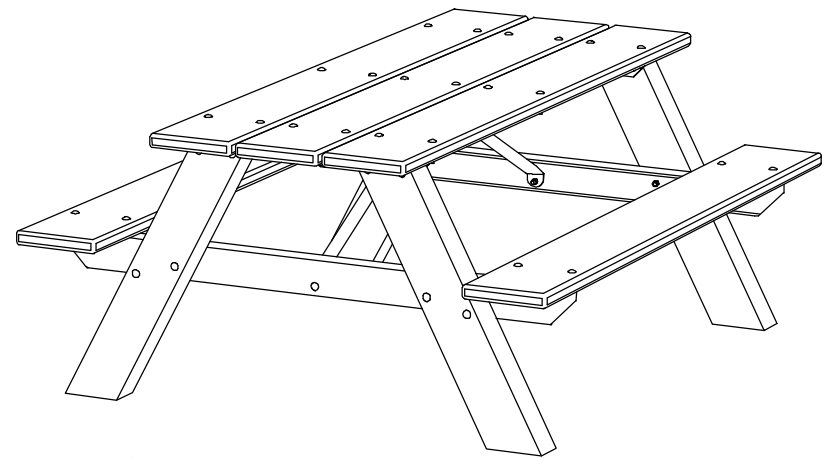
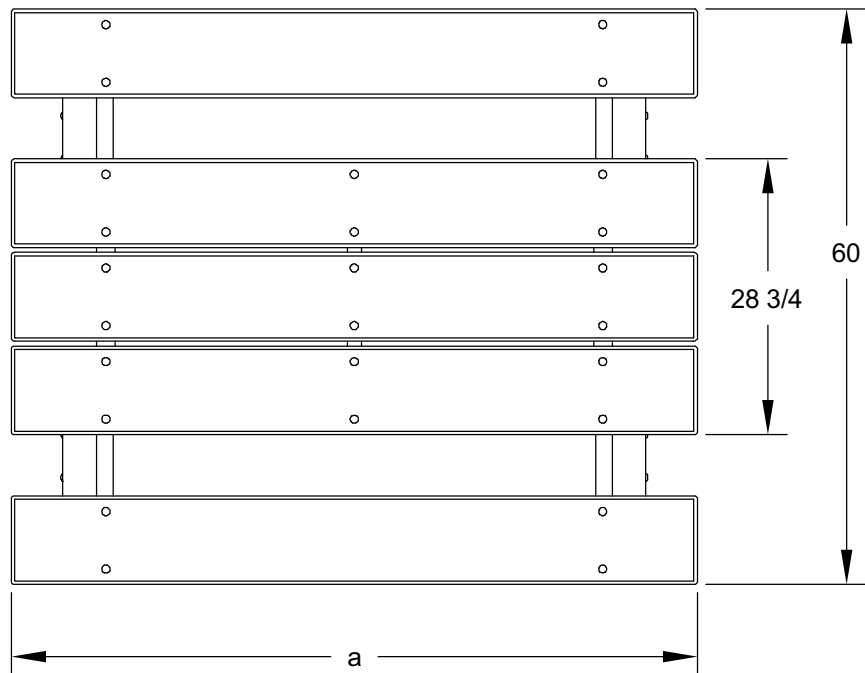
AVAILABLE OPTIONS

6' and 8' lengths

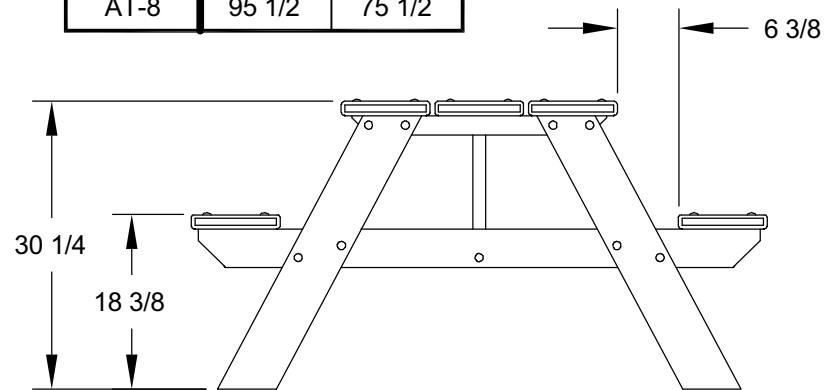
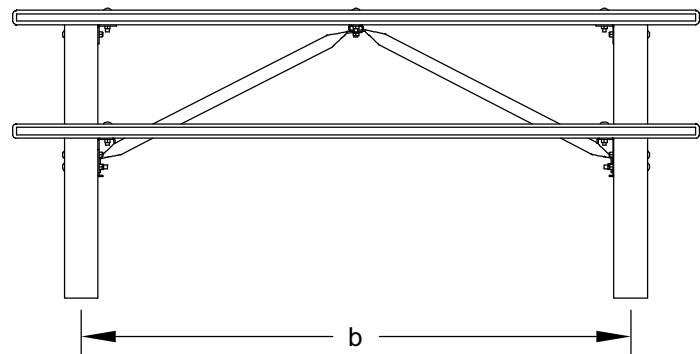
RJThomas Mfg. Co., Inc.

PO Box 946 • Cherokee, IA 51012-0946 • PH: 712-225-5115 • 800-762-5002 • FAX: 712-225-5796
E-mail: pilotrock@rjthomas.com • Web Site: <http://www.pilotrock.com>

© 2008 RJThomas Mfg. Co., Inc. PILOT ROCK® Park Products is a registered trademark of RJThomas Mfg. Co., Inc.



MODEL NUMBER	DIMENSION	
	a	b
AT-6	71 1/2	57 1/4
AT-8	95 1/2	75 1/2



ALL DIMENSIONS IN INCHES

RJThomas Mfg. Co., Inc.
P.O. Box 946 • Cherokee, IA 51012-0946

DRAWN BY
WWM

TITLE AT SERIES 6 AND 8 FOOT A-FRAME TABLE WITH LUMBER TIMBERS AND PLANKS

DATE 10-31-08

DWG. NO. AI-1713