

Model B111C 6 Foot Accessible Contoured Bench with Recycled Plastic Seat



Model B111C/CB-6PA24 Accessible Embedded mount Contoured Bench, 6 foot long, with black powder coated frames and gray 2" x 4" recycled plastic seat planks

- **Meets suggested ABA and ADA guidelines for accessible seating**
- **Grab bar across full length at top of the back aids transfer to and from bench**
- **Extra heavy design to be stronger and more stable with a simple, clean design.**
- **Sturdy, formed and welded steel frame construction**
- **Frames are Hot-Dip Galvanized after fabrication for superior corrosion resistance**
- **100% Recycled Plastic Seat and Top Planks with solid color and U.V. stabilizer for ultraviolet protection**
- **Precision drilled plastic planks**
- **Quality construction throughout**

SPECIFICATIONS:

- **Model B111C** end frames are one-piece, welded construction with a back and seat bracket of 2-3/8" x 1-1/2" x 1/8" nominal sized, die-formed channel, and a 2.375" (2-3/8") O.D. post and foot to meet 2" nominal steel pipe size specifications. Frame leg is designed to be embedded 20-1/8" into a concrete footing
- A grab bar die-formed from 1.66" OD x 10 ga. wall round steel tube with downward bends on the ends attached to the end frames at the top of the back provides support when transferring to and from bench seat.
- **Model B111C/G-6** is 6 ft. long (nom.) with three frames.
- **Standard:** Frames are hot-dip galvanized after fabrication to ASTM-A123 to maintain an average zinc coating of 2.0 oz. per sq. ft. of surface area (indicated by "/G" in model no., e.g. B111C/G-6PC24).
- **Standard:** Contoured seat is made of 100% Recycled Plastic molded into 2" x 4" nominal sized planks with solid Cedar color (indicated by "PC" in model no., e.g. B111C/G-6PC24) formed throughout and a U.V. stabilizer added for ultra-violet protection.
- All fasteners are provided for assembly.
- **Optional:** Color choices of powder coated steel frame components. For optional colors choices see Specification Bulletin #SPC-CO-001.
- **Optional:** Color choices of Recycled Plastic components. For optional colors choices see Specification Bulletin #SPC-CO-001.

AVAILABLE OPTIONS

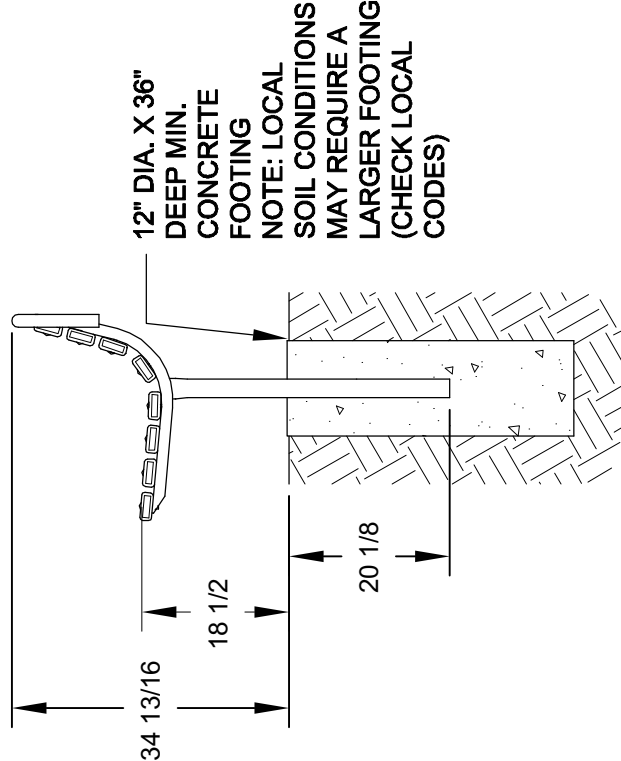
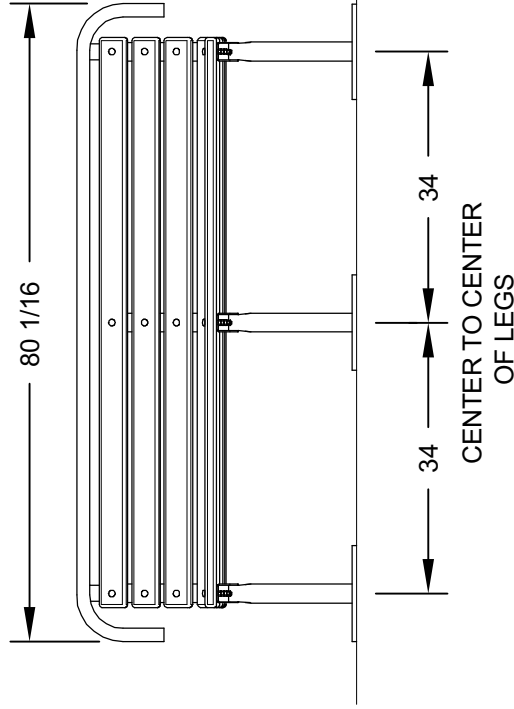
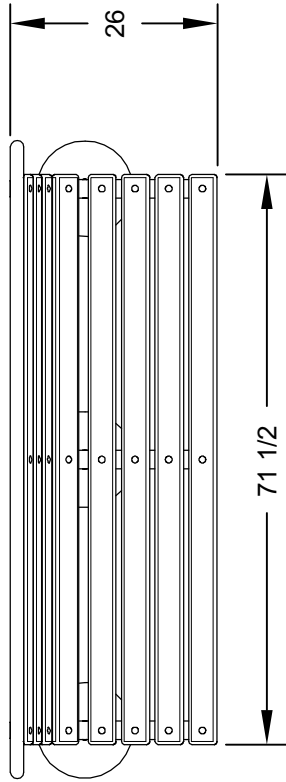
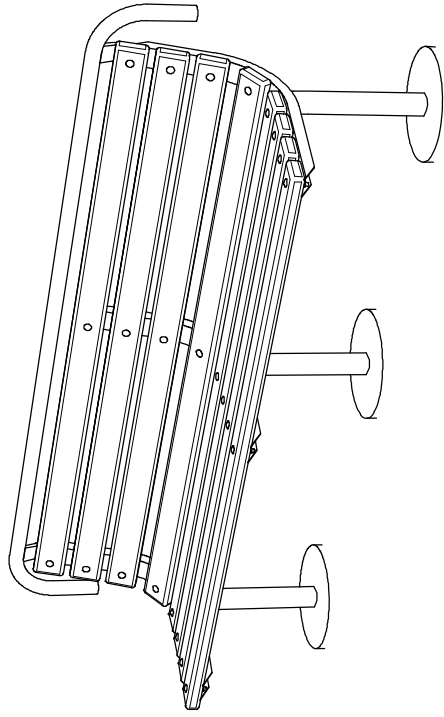
- **Powder Coat Finish in choice of colors for steel frame components**
- **Choice of colors of Recycled Plastic**
- **Custom Lettering and Plaques available (call for details)**

- **Note:** Meets guidelines as presented in Federal Register, June 20, 2007, Part II Architectural and Transportation Barriers Compliance Board, 36 CFR Part 1195, ABA Guidelines for Outdoor Developed Areas; Proposed Rule: Part T213, T313 and T411. Also meets suggested design guidelines in ADA and ABA Accessibility Guidelines dated July 23, 2004, Chapter 9: Built-In Elements, Part 903 Benches

RJ Thomas Mfg. Co., Inc.

PO Box 946 • Cherokee, IA 51012-0946 • PH: 712-225-5115 • 800-762-5002 • FAX: 712-225-5796
E-mail: pilotrock@rjthomas.com • Web Site: <http://www.pilotrock.com>

© 2008 RJ Thomas Mfg. Co., Inc. PILOT ROCK® Park Products is a registered trademark of RJ Thomas Mfg. Co., Inc.



ALL DIMENSIONS IN INCHES

RJThomas Mfg. Co., Inc.
P.O. Box 946 • Cherokee, IA 51012-0946

DRAWN BY
WWM

TITLE B111C SERIES 6 FOOT ACCESSIBLE EMBEDDED MOUNT BENCH WITH RECYCLED
PLASTIC CONTOUR SEAT

DATE 1-18-11
DWG. NO. **AI-1981**