



Model CN-R/SP3/CB-36D steel receptacle with rain bonnet and lockable door, finished in black powder coat. Shown with CN/B-1827 rigid plastic liner.



Detail of Model CN-R/SP3/CN-36D steel receptacle with rain bonnet, showing the (4) included adjustable base levelers.

SPECIFICATIONS:

- **Model CN-R/SP3-36D Series** trash receptacle holders are designed to hold most commercially available 30 to 36 gal. garbage containers.
- Model CN-R/SP3-36D trash receptacle holders are fabricated using 3/16" thick (7 ga.) laser cut steel sheet for the side, door and bottom frame ring; 1/8" thick (10 ga.) steel for the rain bonnet. All components are welded into a single unit.
- Rain bonnet is designed to cover receptacle and optional liner.
- No assembly required.
- Two opposite side openings to deposit trash.
- **Standard:** Locking Mechanism and key to prevent theft/vandalism
- **Standard:** Four threaded adjustable levelers are located inside the base of the receptacle.
- Base ring supports liner 2" off the ground for longer useful life.
- **Standard:** Receptacle holder has a black powder coat finish (indicated by "/CB" in model no., e.g. CN-R/SP3/CB-36D).
- **Optional:** Choice of powder coat colors. See Specification Bulletin #SPC-CO-001.
- **Optional:** Four 3/8" x 5" screw anchors (anchor kit #ANC2-4) for hard surface mounting.
- **Optional:** Steel or rigid plastic liners.

CAN AND LINER OPTIONS

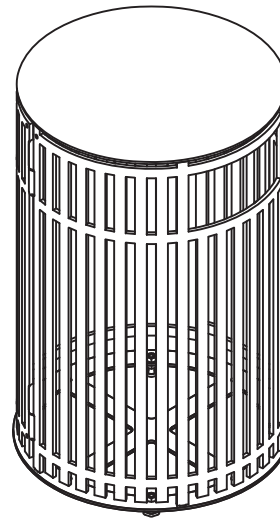
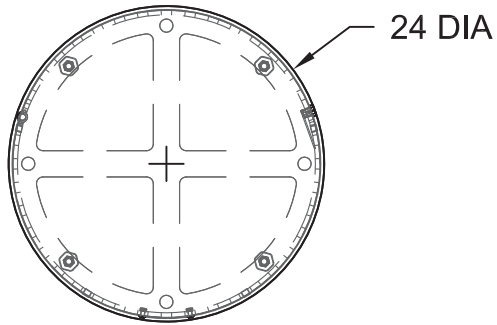
- **Model CNG-2310C:** Regular-duty, 31 gal. capacity, galvanized steel can
- **Model CN/B-1827:** 36 gal. capacity, heavy-duty, rigid plastic liner
- **Model CN-4132C:** 30 gal. capacity, plastic liner
- **Model CNG-WHD32C:** Federal Duty, 32 gal. capacity, galvanized steel can

- **36 gallon capacity**
- **Welded Steel Fabrication**
- **Choice of powder coat finish colors**
- **Includes adjustable levelers**

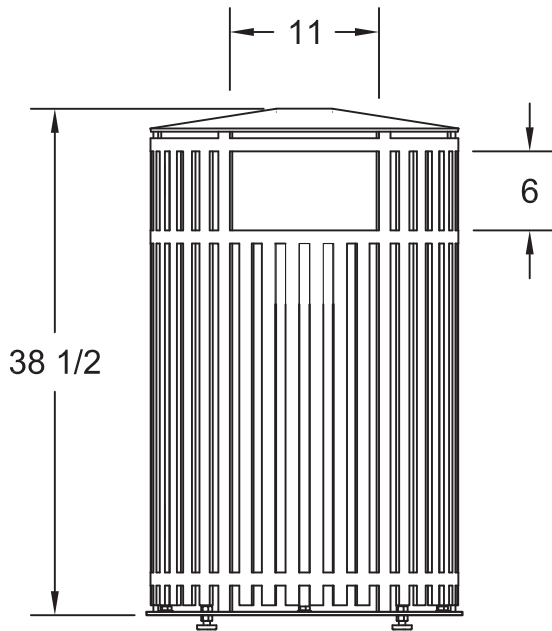
RJ Thomas Mfg. Co., Inc.

PO Box 946 • Cherokee, IA 51012-0946 • PH: 712-225-5115 • 800-762-5002 • FAX: 712-225-5796
E-mail: pilotrock@rjthomas.com • Web Site: <https://www.pilotrock.com>

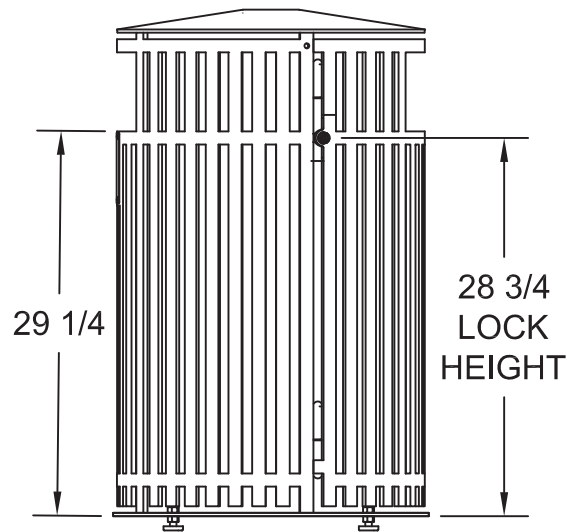
© 2022 RJ Thomas Mfg. Co., Inc. PILOT ROCK® Park Products is a registered trademark of RJ Thomas Mfg. Co., Inc.



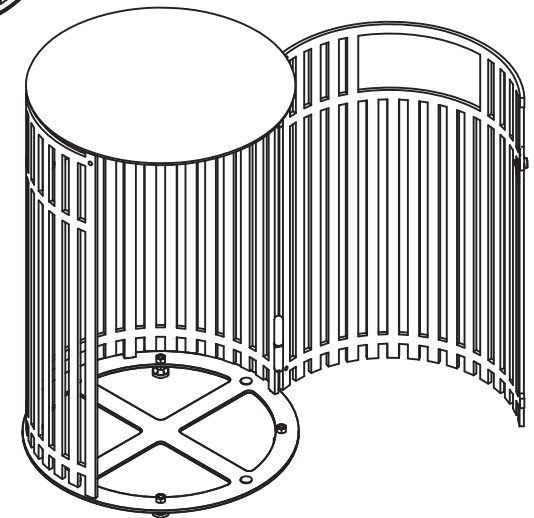
DOOR CLOSED



FRONT



RIGHT



DOOR OPEN

ALL DIMENSIONS IN INCHES

RJThomas Mfg. Co., Inc.
P.O. Box 946 • Cherokee, IA 51012-0946

DRAWN BY
JGJ

TITLE Model CN-R/SP3-36D ROUND STEEL RECEPTACLE WITH
RAIN BONNET AND LOCKABLE DOOR.

DATE 3-12-20

DWG. NO. **AI-3013**