



**Model CN-R/SS2/CU-36** Steel Strap Round Trash Receptacle Holder for 36 gal. containers, Blue powder coated finish.  
 Shown with optional **Model T/CU-2410R** Blue powder coated steel lid with rain cover and optional **CN/B-1827** 36 gal. rigid plastic liner.

- **36 gallon capacity**
- **Welded Steel Fabrication**
- **Large choice of color, lid, liner, and mounting options**
- **Includes adjustable levelers**

#### **MOUNTING OPTIONS**

**Model M2/G Embedded Pedestal Mount:**

elevated concrete embedded installation

**Model M3/G Surface Pedestal Mount:**

elevated base plate on concrete installation

**Model M6/B Surface Ground Anchors:**

four steel rod anchors for temporary location in lawns or on soft dirt.

#### **CAN AND LINER OPTIONS**

**Model CNG-2310CL:** Regular-duty, 31 gal. capacity, galvanized steel can with lid

**Model CN/B-1827:** 36 gal. capacity, heavy-duty, rigid plastic liner

**Model CN-4132CL:** 30 gal. capacity, plastic liner with lid

**Model CNG-WHD32CL:** Federal Duty, 32 gal. capacity, galvanized steel can with lid

#### **SPECIFICATIONS:**

- **Model CN-R/SS2-36 Series** trash receptacle holders are designed to hold most commercially available 30 to 36 gal. garbage containers.
- Model CN-R/SS2-36 trash receptacle holders are a single welded construction of evenly spaced vertical 1/8" thick x 2" wide steel straps. This round container features a flared top with a formed 1" dia. round tube ring to provide strength. Base is a 10 ga. x 1-1/2" flanged steel ring reinforced with die-formed cross braces of 10 ga. x 2" steel bar which facilitates anchoring of receptacle holder to hard surfaces.
- **Standard:** Four threaded adjustable levelers are located inside the base of the receptacle.
- Receptacle is a nominal 33" high.
- **Standard:** Receptacle holder has a green powder coat finish (indicated by "/CN" in model no., e.g. CN-R/SS2/CN-36).
- **Optional:** Choice of powder coat colors. See Specification Bulletin #SPC-CO-001.
- **Optional:** Four 3/8" x 3" screw anchors (anchor kit #ANC3-4) for hard surface mounting.

#### **LID OPTIONS**

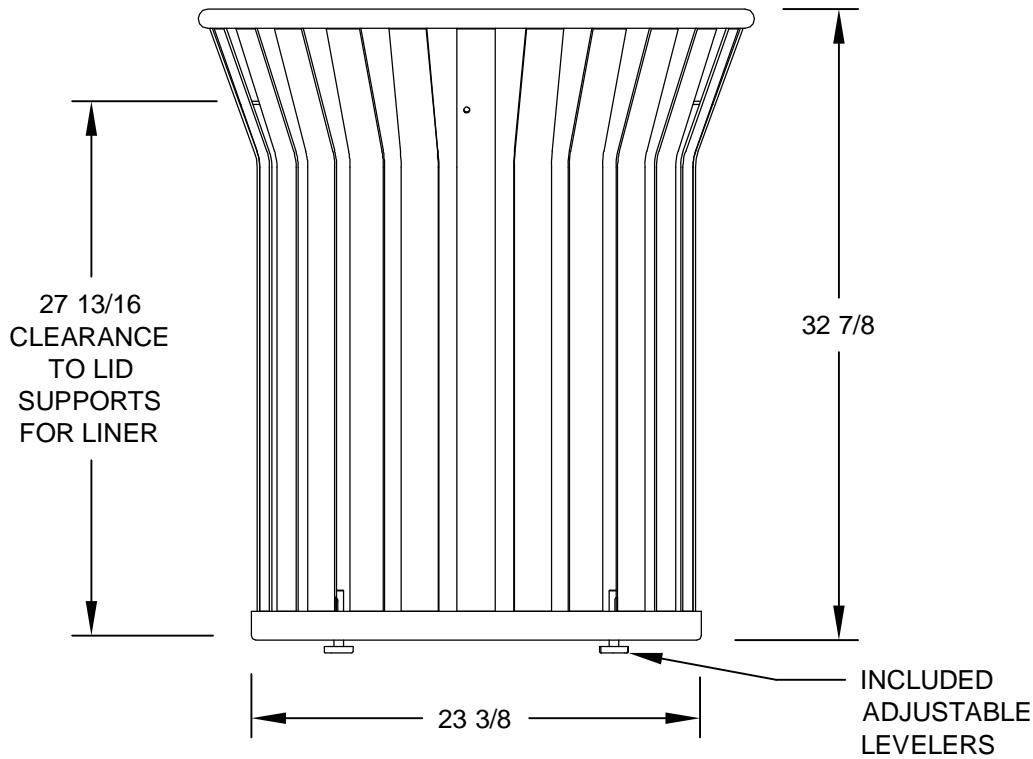
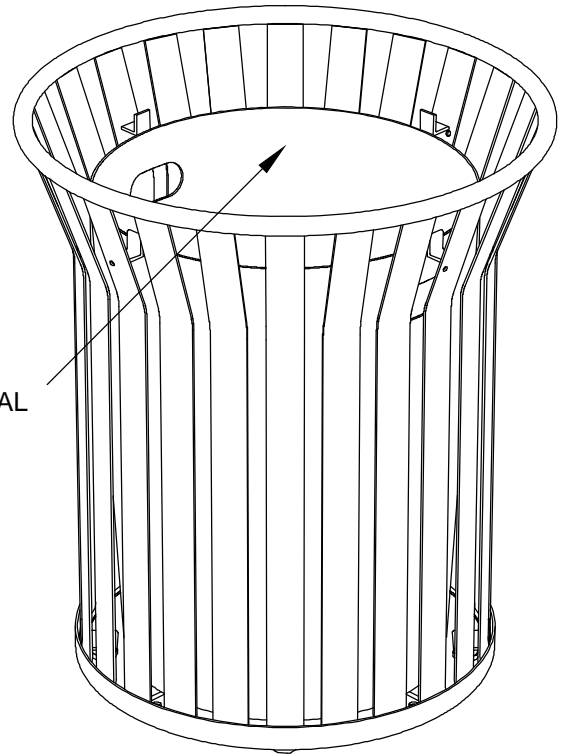
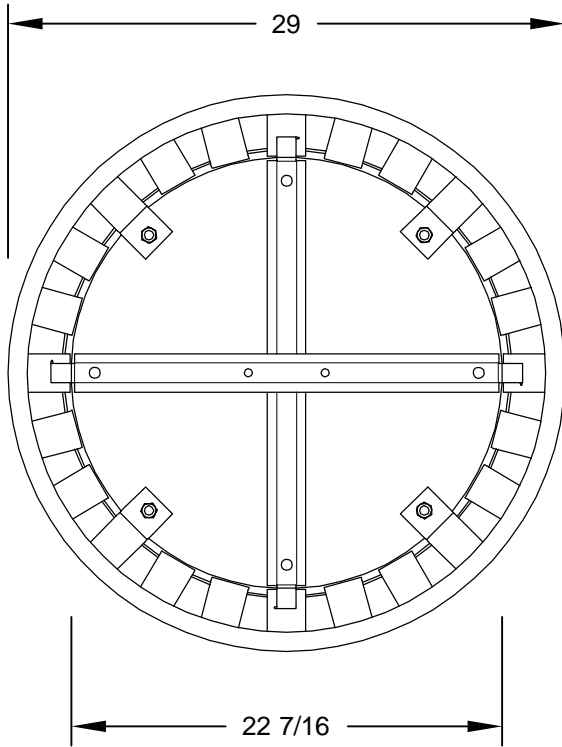
- **Model CN-PD/◆-24** Pilot Rock Plastic Dome Hatch Lid
- **Model CN-PD/◆-24PC Series** Pilot Rock Plastic Dome Recycling Lid
- **Model CN/◆-4455** Plastic Dome Hatch Lid
- **Model CN/G-5555** Galvanized or Powder Coated Steel Dome Hatch Lid
- **Model CN-SDR-24** Plastic Dome lid.
- **Model T◆-24X** Flat Steel Lid
- **Model T◆-24** Flat Steel Lid with a spring-loaded 10" dia. Hatch
- **Model T◆-24PC Series** Flat Steel Recycling Lids with 3" dia. opening, with 4-3/8" dia. opening, or with 5-7/8" dia. opening
- **Model T/◆-2410** Flat Steel Lid with 10" opening
- **Model T/◆-2410R** Flat Steel Lid with 10" opening and rain cover
- **Model T/◆-2410A** Flat Steel Lid with 10" opening, rain cover and ashtray
- **Model T/◆-246** Recycling Lid, flat, Thermo-plastic Coated Steel with 5-3/4" dia. opening
- **Model CN/B-1825** Flat Molded Plastic Lid with 10" center opening
- **Model CN/B-55FT** Flat Molded Plastic Lid with 15" center opening
- **Model CN/B-3030** Black Molded Plastic Canopy Lid with openings at each end
- **Model CN-PR/◆-24PC Series** Recycled Plastic Flat Lids with 3" dia. opening, with 4-3/8" dia. opening or with 5-7/8" dia. opening
  - ◆ Indicates choice of finish or color — Inquire for specific model options

**RJ Thomas Mfg. Co., Inc.**

PO Box 946 • Cherokee, IA 51012-0946 • PH: 712-225-5115 • 800-762-5002 • FAX: 712-225-5796

E-mail: pilotrock@rjthomas.com • Web Site: <http://www.pilotrock.com>

© 2019 RJ Thomas Mfg. Co., Inc. PILOT ROCK® Park Products is a registered trademark of RJ Thomas Mfg. Co., Inc.



ALL DIMENSIONS IN INCHES

**RJThomas**  
**Mfg. Co., Inc.**  
P.O. Box 946  
Cherokee, IA 51012

TITLE MODEL CN-R/SS2-36 STEEL STRAP TRASH RECEPTACLE HOLDER

DRAWN BY **WWM**

DATE 12-19-09

DWG. NO. **AI-1880**