

800.364.7681



www.DOGIPARK.com

The Smart Dog Park Solution.
A DOGIPOT® Brand.

PLAYGROUNDS FOR DOGS™

3 LEVEL STEEL JUMP HURDLES (ITEM #7523) SPECIFICATION AND INSTALLATION SHEET



YOUR PLAYGROUNDS FOR DOGS 3 LEVEL STEEL JUMP HURDLES INCLUDES:

- 3 heavy duty textured powder coated jump hurdles - 2 green, 1 beige
- 6 black powder coated in-ground mounting posts
- Mounting hardware (24) 3/8" x 1/2" threaded bolts and (24) 3/8" lock nuts

PLEASE CHECK THE ABOVE INVENTORY AND CALL YOUR DISTRIBUTOR IF ANY PARTS ARE MISSING.

INSTALLATION AND OPERATION INSTRUCTIONS

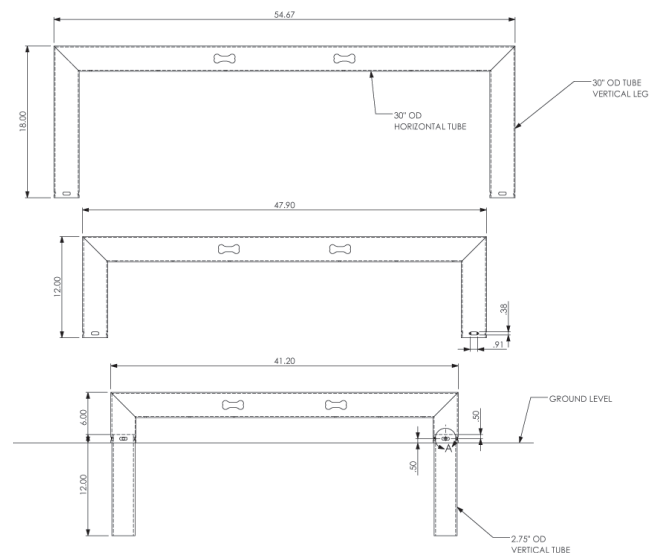
1. Select a good level spot to install. We suggest installing each jump hurdle 6 to 8 feet apart and in a straight line.
2. Assemble the in-ground mount posts to the base of the jump hurdles using the included hardware.
3. Dig 2 holes 12" deep for each jump hurdle using the installed in-ground mounts to determine the exact distance between each of the 2 holes. We suggest using fast setting concrete for the best results.
4. We recommend adding mulch around footers and equipment.

PRODUCT DETAILS:

Dimensions: 55" w x 18" h
48" w x 12" h
41" w x 6" h

Surfaces:

- Textured powder coating
- 11 gauge 3" steel frame tubing
- Does not fade, crack, peel or warp
- 5 year warranty on coating
- Total Weight: 90 lbs.



Made in USA

800.364.7681



www.DOGIPARK.com

PLAYGROUNDS FOR DOGS™

3 LEVEL STEEL JUMP HURDLES (ITEM #7523)

SPECIFICATION AND INSTALLATION SHEET



SAFETY WARNINGS AND EQUIPMENT MAINTENANCE RECOMMENDATIONS

- **PLEASE READ THESE IMPORTANT SAFETY WARNINGS AND KEEP ON FILE FOR FUTURE REFERENCE REGARDING INSPECTION REMINDERS AND LIST OF PARTS.**
- Follow installation instructions and find a safe, suitable location for equipment use.
- All products should be in-ground or surface mounted and securely fastened to concrete. Concrete footers should never protrude above the ground where they are exposed and could create a safety hazard. Ground covering, such as mulch, is recommended over the buried footers.
- Regular scheduled review of equipment should be conducted to ensure there is no existing damage caused by wear and tear, improper use or vandalism.
- All equipment should be free from rust or other structural damage. Replace or repair in the event any rust exists that could affect the structural integrity of the equipment.
- Any areas where the coating has been removed should be repainted to deter rusting or other damage.
- Any protruding bolts, rough or sharp edges should be covered, capped or removed. Inspect for broken, bent or worn pieces and replace if present.
- Never add components not intended for this equipment. **EQUIPMENT IS NOT INTENDED FOR USE BY PEOPLE. THE EQUIPMENT IS SOLELY INTENDED AND DESIGNED FOR DOG USE ONLY.**
- Proper and regular maintenance of equipment includes, but is not limited to, inspection of footings, all bolts and connection points, edges, landing areas, coatings and surfaces. This includes regular tightening of bolts, nuts and screws.
- ANY WORN OR BROKEN PARTS, BOLTS, NUTS, SCREWS, INSTABILITY IN THE FOOTERS AND THE LIKE SHOULD BE REPLACED IMMEDIATELY TO PREVENT ANY INJURY.

WARRANTY

DOGIPOT® warrants to the original consumer purchaser that our **DOGIPARK®** brand products will be free from defects in material workmanship under normal use for a period of two (2) years from the date of purchase when installed and maintained properly.

DOGIPOT® may elect to repair or replace any defective **DOGIPARK®** product covered by our warranty. Our warranty does not cover defects caused by misuse, abuse, vandalism, negligence, alterations, environmental conditions, extreme weather conditions, manmade or natural disasters, lack of maintenance, improper installation, storage or handling or normal wear and tear from use.

DOGIPOT® provides a limited warranty for the **RUFFCOAT™** and Thermoplastic coated elements for 5 years.

Damages or loss in transit is the responsibility of the carrier, whether visible or concealed. It is the responsibility of the recipient to ensure that the order is received both complete and without damages. Before signing receipt, inspect the shipment immediately and completely. Note any damages or shortages on the bill of lading. Damage reports must be filed within ten (10) days. **DOGIPOT®** is not responsible for lost damages or loss in transit. Title to all goods passes to the customer at the time of shipment. **DOGIPOT®** will assist in filing claims if the freight arrangement was made by **DOGIPOT®** at your request. Cancellations and returns are only accepted with the approval of **DOGIPOT®**. No equipment shall be returned without a Return Materials Authorization which is issued by customer service. Any returned equipment must be returned in the original packaging and wrapped and stuffed to avoid damage, or in a similar suitable condition. A restocking charge of up to 25% will be applied to all returned goods when the error is not that of **DOGIPOT®**. The customer is responsible for all freight charges to return any equipment.