



*Model FA-26/7/TB Campfire Cooksite*

- **Ideal for smaller fires, helps conserve firewood, and takes up less space at the campsite**
- **Flanged firering for strength and safety**
- **Infinitely adjustable cooking grate**
- **Structurally reinforced grate is virtually indestructible**
- **Grate tips back for fire building**
- **Unique handle design allows easy positioning of grate and keeps handle grips outside of firering**
- **Public use-type spring grips of coiled steel bar**
- **Firering tips back for easy cleaning**
- **Tip-back anchors embedded in concrete footings provide permanent location**
- **“Bottomless” design installs without concrete pad**
- **Utility shelf option**

## AVAILABLE OPTIONS

Utility Shelf

## SPECIFICATIONS:

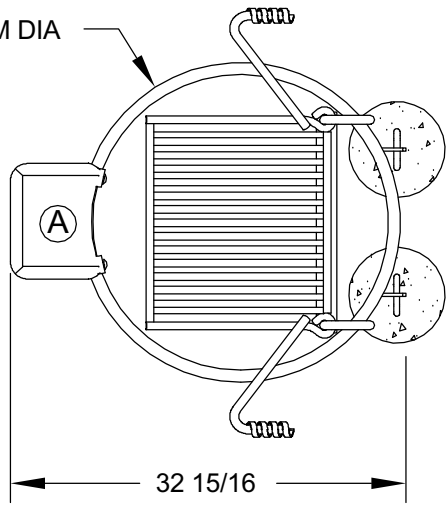
- 26" overall dia. ring has a 7-3/8" high fire barrier formed from 3/16" steel with a 1" formed (NOT WELDED) flange around the top of the ring and 9/16" draft holes spaced around the bottom perimeter.
- 270 sq. in. grate is constructed from 5/8" dia. A-36 steel bars around the perimeter, 3/4" dia. A-36 steel bars for the handles and 1/2" dia. A-36 steel bars to provide the grate surface. Grate is secured to firering by two vertical 3/4" dia. A-36 steel bars that allow 7" of infinite adjustment within and above the ring and tips back for fire building.
- Grate is structurally reinforced to withstand the weight of two or more people standing on it without permanently deforming or bending.
- Grate is provided with two adjusting handles with substantial spring grips suitable for public use made from 1/8" x 1/2" steel flat bar that remains outside the fire barrier at all positions.
- Ring is provided with hinged anchoring device to allow ring to tip upward for easy cleaning. Two 1/2" dia. steel "U" anchor pins with deformed ends insert 15" into concrete footing (indicated by /TB in model no., e.g. FA-26/7/TB).
- Entire unit is finished in high temperature, heat resistant, nontoxic black enamel.
- Optional: Firering is provided with a 3/16" x 7-1/8" x 9-5/8" steel plate utility shelf. (Add /S to model no., e.g. FA-26/7/TB/S.)

**RJThomas Mfg. Co., Inc.**

PO Box 946 • Cherokee, IA 51012-0946 • PH: 712-225-5115 • 800-762-5002 • FAX: 712-225-5796  
E-mail: [pilotrock@rjthomas.com](mailto:pilotrock@rjthomas.com) • Web Site: <http://www.pilotrock.com>

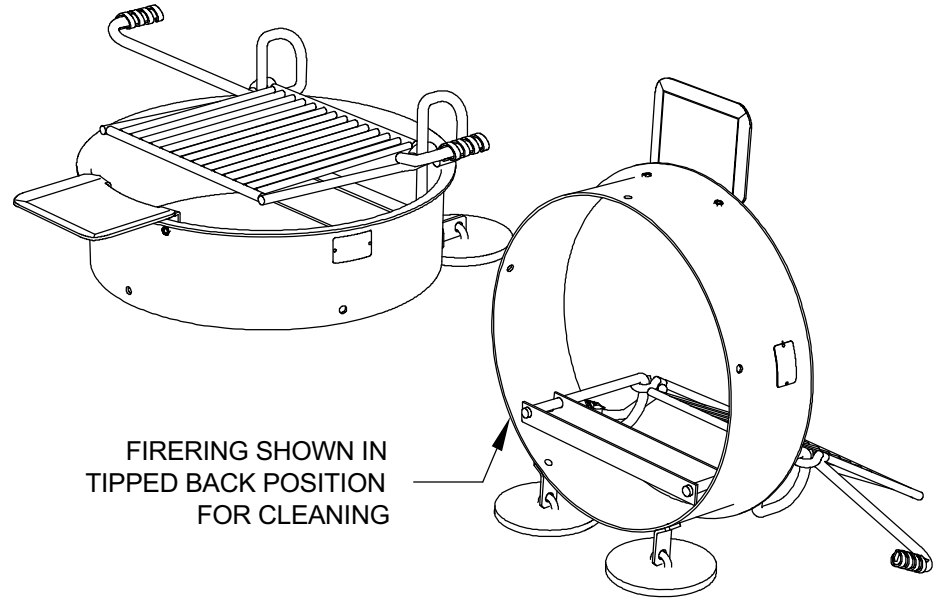
© 2008 RJThomas Mfg. Co., Inc. PILOT ROCK® Park Products is a registered trademark of RJThomas Mfg. Co., Inc.

26 NOM DIA

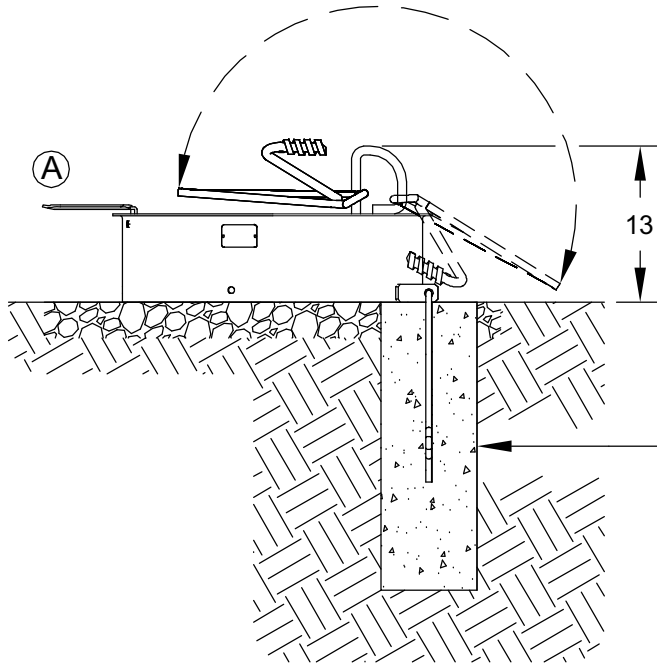


32 15/16

(A) OPTIONAL UTILITY SHELF - ADD /S TO MODEL NUMBER

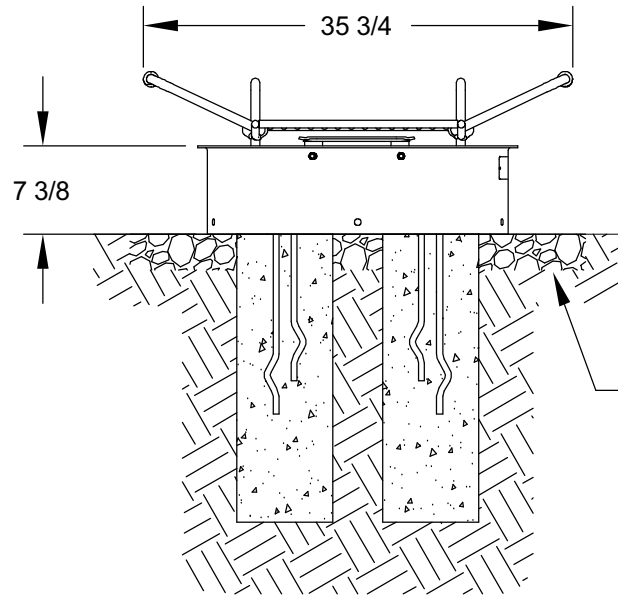


FIRERING SHOWN IN TIPPED BACK POSITION FOR CLEANING



13

8" DIA x 24" DEEP (18" MIN) CONCRETE FOOTING RECOMMENDED



35 3/4

7 3/8

3" DEEP COARSE AGGREGATE FILL

ALL DIMENSIONS IN INCHES

RJThomas Mfg. Co., Inc.  
P.O. Box 946 • Cherokee, IA 51012-0946

DRAWN BY  
WWM

TITLE FA-26/7/TB CAMPFIRE COOKSITE WITH TIP-BACK ANCHORS  
- SHOWN WITH OPTIONAL UTILITY SHELF

DATE 9-16-08

DWG. NO. AI-1451