



Keystone Hardscapes Model FPI-4 Single-Sided Gas Fireplace Insert

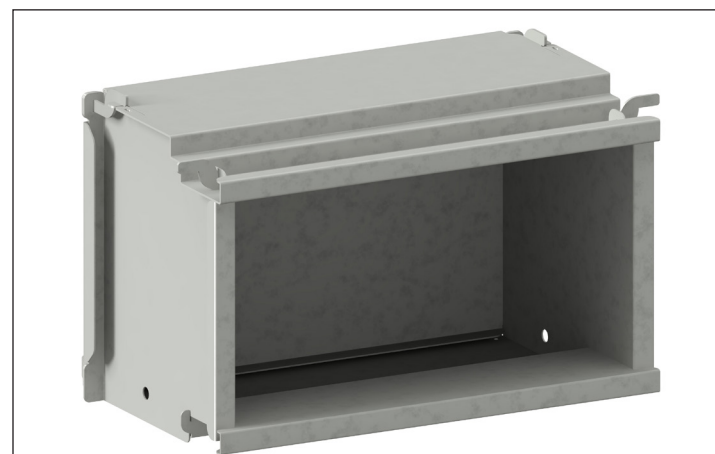
**SPECIFICATION
BULLETIN**
#SPC-FR-086
REV. 04-20



Model FPI-4 Single-sided Fireplace Insert for use with Gas Burner



Model FPI-4 Black Carbon Steel single-sided Fireplace Insert for use with Gas Burner



Model FPI-4/S Stainless Steel single-sided Fireplace Insert for use with Gas Burner

SPECIFICATIONS:

- This steel Fireplace Insert is designed for use with Keystone Hardscapes blocks to build an outdoor gas burning fireplace. The blocks and gas burner components are not included. Contact Keystone for information on the block kit and gas burner specifications.
- **Model FPI-4** includes a single-sided steel firebox (no chimney is required). The firebox is open on one side for viewing.
- The firebox is fabricated using 7 ga. steel plate for the top, and 10 ga. steel plate for the back, sides and bottom. The firebox components are assembled on site. No fasteners are required. Follow the block manufacturer's assembly instructions.
- **Dimensions (nom.):** 42 inches wide across front opening x 23-3/4 inches deep x 26-3/4 inches tall inside.
- **Standard Model FPI-4:** All steel components are dip painted with high heat non-toxic black enamel. Weight Model FPI-4: 229 lbs. each complete unit.
- **Optional Model FPI-4/S:** All steel components are fabricated from 7 ga. and 11 ga. stainless steel (not painted). Weight Model FPI-4/S: 229 lbs. each complete unit.
- **Pallet Quantity:** (6) complete units per pallet, knocked down. Assembly required.
- **Optional:** The Access Door provides an opening on the side to the inside of the block structure for gas controls. Door opening (nom.): 12-3/4 in. wide x 20-1/4 in. tall. Door includes a slide latch. Each access door option includes (2) access door vents. These optional components must be installed at the same time that the fireplace is originally erected.

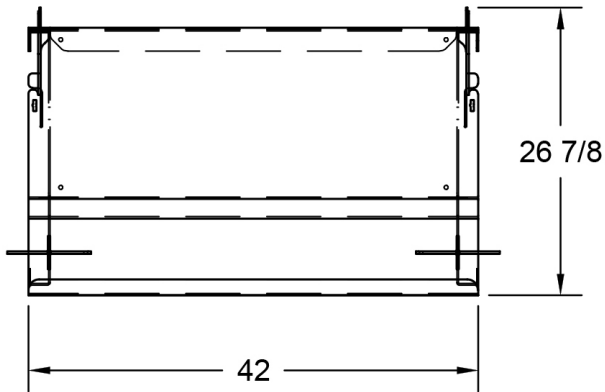
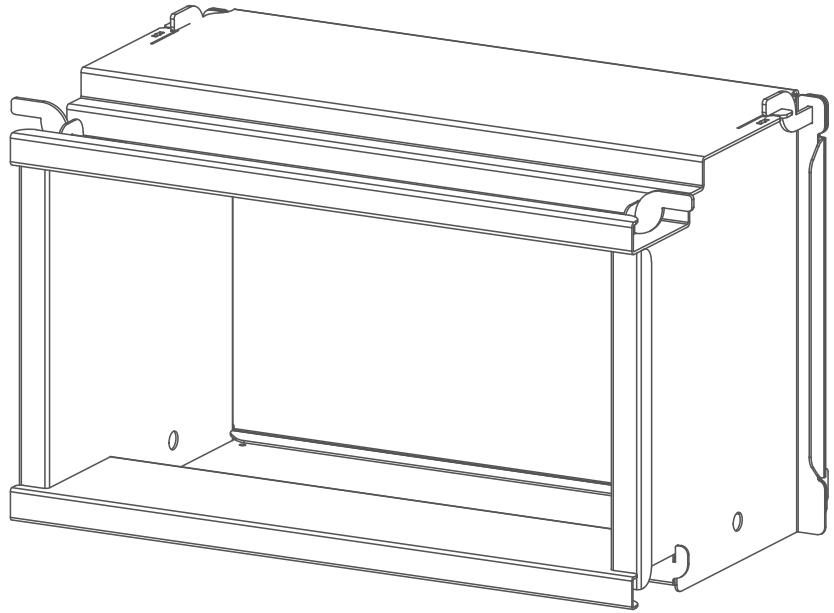
Model FPI-D: Access Door for use with the FPI-4 steel fireplace insert, 10 ga. steel plate, dip painted with high heat non-toxic black enamel. Weight: 38 lbs.

Model FPI-D/S: Stainless Steel Access Door for use with the FPI-4/S fireplace insert, 11 ga. stainless steel, not painted. Weight: 35 lbs.

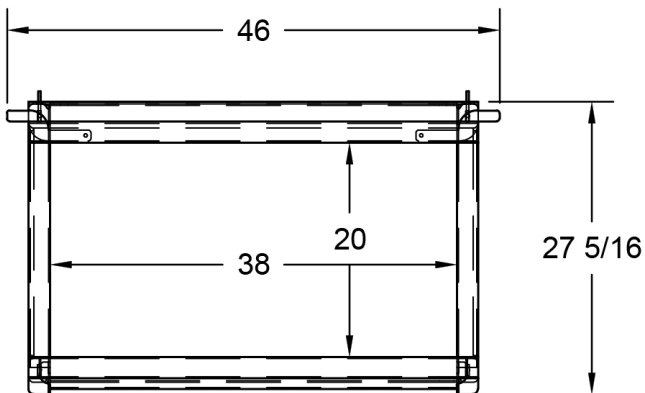
Warning: This product can expose you to carbon monoxide which is a combustion by-product known to the State of California to cause birth defects or other reproductive harm.
For more information go to www.P65Warnings.ca.gov

RJ Thomas Mfg. Co., Inc.

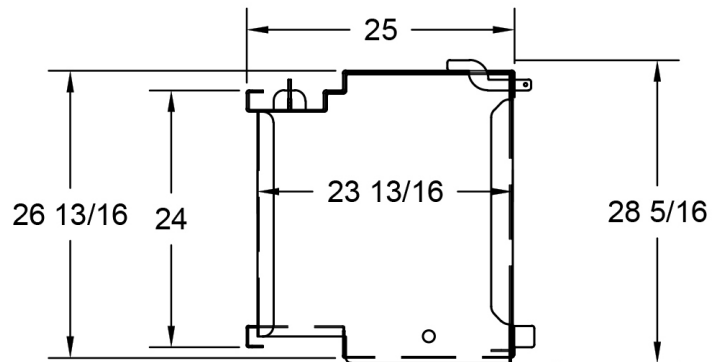
PO Box 946 · Cherokee, IA 51012-0946 · PH: 712-225-5115 · 800-762-5002 · FAX: 712-225-5796
E-mail: customerservice@rjthomas.com © 2020 RJ Thomas Mfg. Co., Inc.



TOP VIEW



FRONT VIEW



SIDE VIEW

ALL DIMENSIONS IN INCHES

RJThomas
Mfg. Co., Inc.
 P.O. Box 946
 Cherokee, IA 51012

TITLE MODEL FPI-4 Single-Sided Gas Fireplace Insert

DRAWN BY JGJ

DATE 10-09-19

DWG. NO. -