



Model FSW/SL-30/9/TB Campfire Ring with snow-load rated swivel cooking grate.

(Below) Grate shown rotated out of the firing.



- **Cooking grate withstands snow loads of over 569 lbs./sq. ft.**
- **Cooking grate rotates 180 degrees from over the fire to completely out of the fire**
- **Handle is never over the fire**
- **Flanged firering for strength and safety**
- **Public use-type spring grips of coiled steel bar**
- **Quality construction throughout**

AVAILABLE OPTIONS

Utility Shelf
Heat Shield

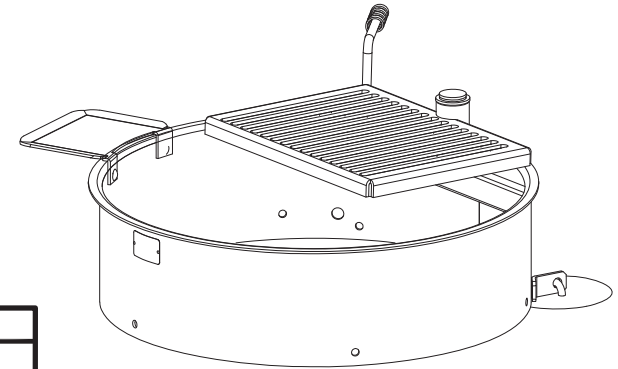
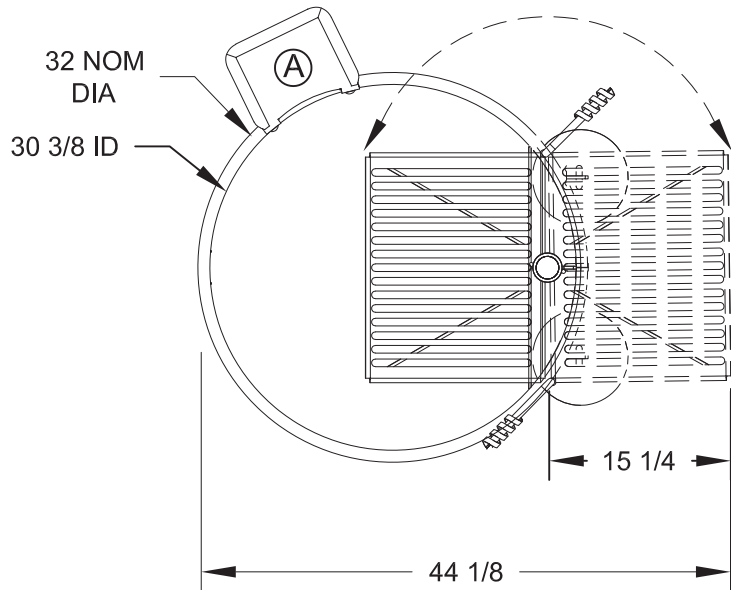
SPECIFICATIONS:

- Our new Swivel Grate firing design is tested to withstand snow loads of over **569 lbs. per sq. ft.** on the grate. The swivel grate is laser cut from 1/4-inch thick steel plate. A special 10 ga. channel brace is welded inside the ring to reinforce the swivel tube.
 - 32" overall dia. firering is constructed from 3/16" thick steel with a formed (NOT WELDED) 1" flanged lip around the top of the ring and ten 1" dia. drain/draft/anchor holes located around the perimeter.
 - **Model FSW/SL-30/7/TB** firering side height is 7-3/8" (indicated by "/7" in model no., e.g. FSW/SL-30/7/TB).
 - **Model FSW/SL-30/9/TB** firering side height is 9" (indicated by "/9" in model no., e.g. FSW/SL-30/9/TB).
 - **Model FSW/SL-30/11/TB** firering side height is 11-3/8" (indicated by "/11" in model no., e.g. FSW/SL-30/11/TB).
 - The Swivel Grate design meets the ADA guidelines for one hand operation and requires less than 5 lbs. of force to move. The 300 sq. in. single level grate will move 180° – from over the fire to completely out of the fire ring – for easy fire building and serving. The handle is never over the fire.
 - Grate is provided with a substantially constructed spring grip suitable for public use made from 1/8" x 1/2" flat bar (not wire springs).
 - Grate is mounted on a 2-3/8" OD tube allowing it to rotate on a horizontal plane out of the firering. Two welded-on stops limit rotation to 180° to prevent the handle entering the area over the fire.
 - Ring is provided with hinged anchoring device to allow ring to tip upward for easy cleaning. Two 1/2" dia. steel "U" anchor pins with deformed ends insert 15" into concrete footings (indicated by "/TB" in model no., e.g. FSW/SL-30/7/TB).
 - Entire unit is finished in high temperature, heat resistant, nontoxic black enamel paint.
 - **Option:** Firering is provided with an 8" high heat shield constructed from 10 ga. steel welded on to new firerings. Heat shield provides a 7/8" cooling air gap around the area of the firering exposed to the fire (indicated by "/H" in model no., e.g. FSW/SL-30/11/TB/H).
 - **Optional:** Firering is provided with a 3/16" x 7-1/8" x 9-5/8" steel plate utility shelf. (Add "/S" to model no., e.g. FSW/SL-30/7/TB/S.)
- Note:** The optional utility shelf fits both firering and optional heat shield. (When ordering both options, add "/H/S" to model no., e.g. FSW/SL-30/7/TB/H/S.)

RJ Thomas Mfg. Co., Inc.

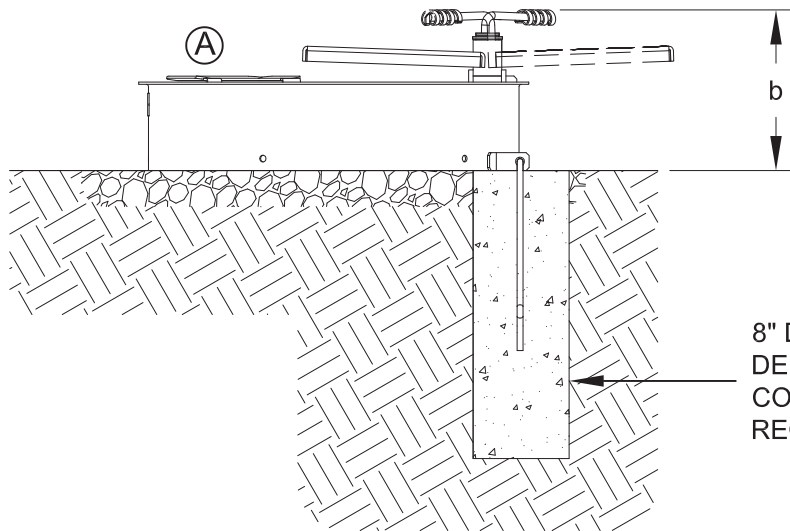
PO Box 946 • Cherokee, IA 51012-0946 • PH: 712-225-5115 • 800-762-5002 • FAX: 712-225-5796
E-mail: pilotrock@rjthomas.com • Web Site: <https://www.pilotrock.com>

© 2020 RJ Thomas Mfg. Co., Inc. PILOT ROCK® Park Products is a registered trademark of RJ Thomas Mfg. Co., Inc.

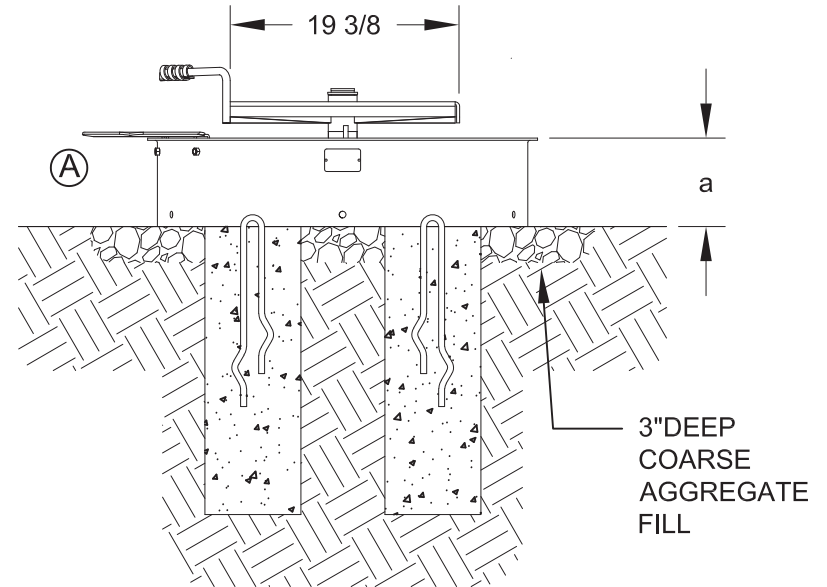


MODEL NUMBER	DIMENSION	
	a	b
FSW/SL-30/7/TB	7-3/8	13
FSW/SL-30/9/TB	9	15 11/16
FSW/SL-30/11/TB	11-3/8	18 1/8

(A) OPTIONAL UTILITY SHELF - ADD /S TO MODEL NUMBER



8" DIA X 24" DEEP (18" MIN) CONCRETE FOOTING RECOMMENDED



3" DEEP COARSE AGGREGATE FILL

ALL DIMENSIONS IN INCHES

ALL DIMENSIONS IN INCHES

RJThomas Mfg. Co., Inc.
P.O. Box 946 • Cherokee, IA 51012-0946

DRAWN BY
JGJ

TITLE FSW/SL-30 SERIES CAMPFIRE RING WITH SNOW LOAD RATED SWIVEL COOKING GRATE AND TIP-BACK ANCHORS; THREE MODELS WITH THREE SIDE HEIGHTS

DATE 04-13-2020

DWG. NO. **AI-3014**