



*Model T214/G-4DU Portable Round Table
with hot dip galvanized frames, with blue thermo-plastic coated
4 ft. dia. expanded steel top, center hub, and round seats.*

- **Bolt together frame design is fabricated from 2-3/8" O.D. steel pipe**
- **Four round seats accommodate four adults**
- **Thermo-plastic coated center hub secures legs, includes hole for optional umbrella**
- **Frames are hot dip galvanized after fabrication for superior corrosion resistance**
- **Thermo-plastic Coating heat fused to Expanded Steel Top and Seats for durability**
- **Thermo-plastic Coating formulated with U.V. stabilizers for ultraviolet protection**
- **Quality construction throughout**

AVAILABLE OPTIONS

- **Powder Coat Finish in choice of colors for steel frame components**
- **Choice of colors of Thermo-plastic Coating**
- **Umbrella**

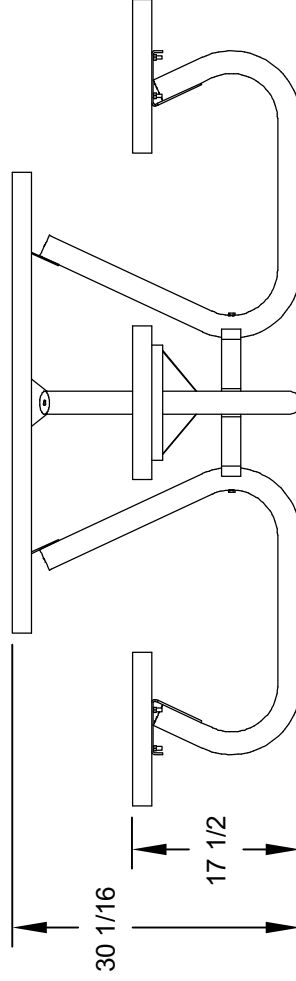
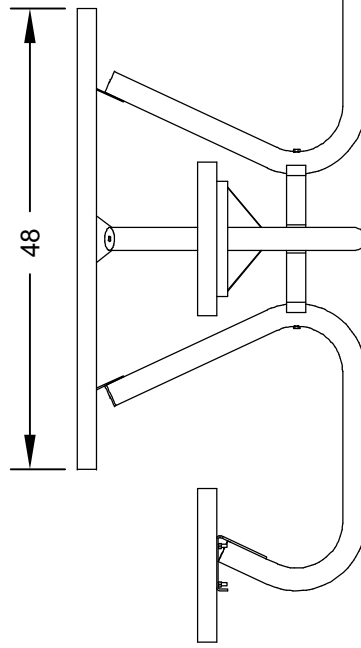
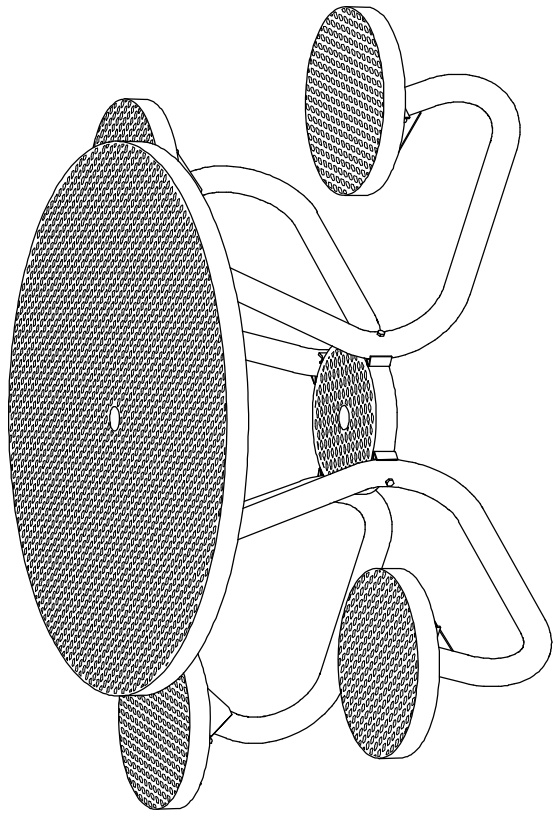
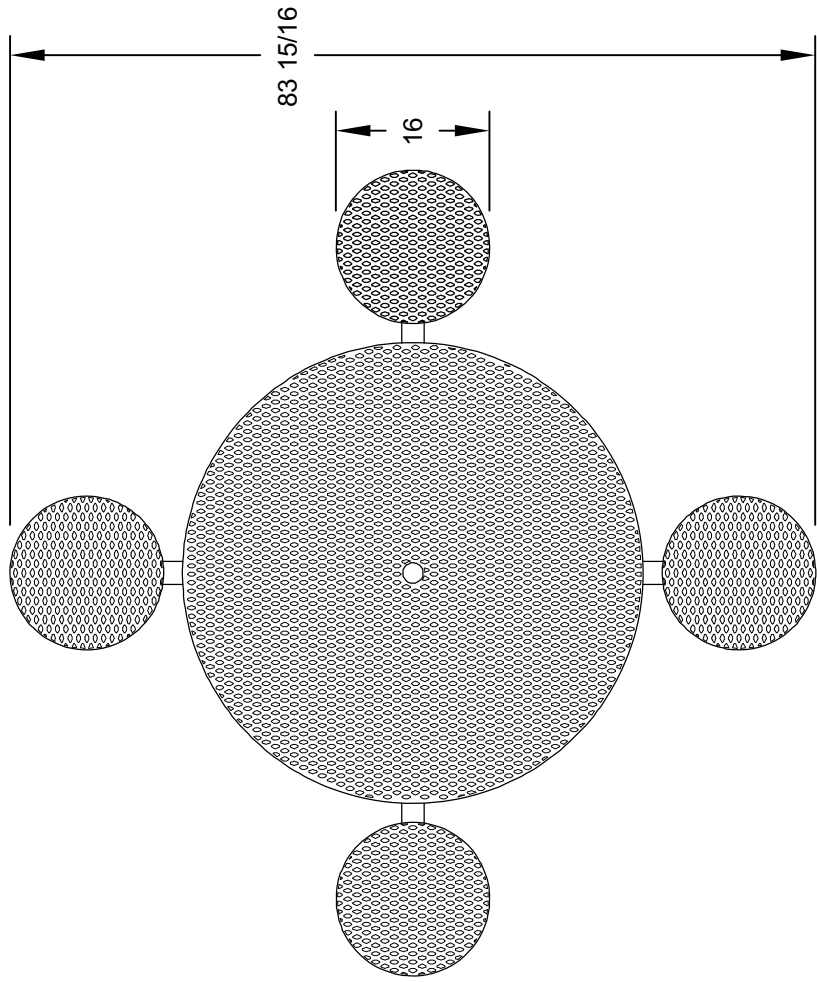
SPECIFICATIONS:

- **T200 Series** frame legs are each a one-piece welded construction, fabricated from 2.375" (2-3/8") O.D. x 10 ga. wall steel pipe to meet 2" nominal steel pipe size specifications and 10 ga. (1/8") thick steel die-formed steel brackets for attaching the seats and tops.
- **Model T214/G-4** has a nom. 4 ft. diameter top. Round seats are 16" in diameter.
- Nominal table height is 30". Nominal seat height is 17-1/2".
- All fasteners are provided for assembly.
- **Standard:** All steel frame components are hot-dip galvanized after fabrication to ASTM-A123 to maintain an average zinc coating of 2.0 oz. per sq. ft. of surface area (indicated by "/G" in model no., e.g. T214/G-4DW).
- Table top and seats are each a one-piece welded construction, fabricated from a 3/4-#9 expanded steel surface with 10 ga. x 2" roll-formed vertical edges on all sides and reinforced by a 10 ga. die-formed angle substructure. Substructure includes all mounting holes for easy assembly of table.
- Center hub is a one-piece welded construction, fabricated from a 3/4-#9 expanded steel surface with 2" x 1/2" roll-formed vertical edges on all sides and reinforced by four 10 ga. flat steel straps.
- Table top and center hub include a reinforced center hole for installation of optional umbrella with 1-1/2" dia. pole.
- **Standard:** All steel surfaces of the top, seats, and center hub are covered with a thermo-plastic coating in a Brown color (indicated by "DW" in model no., e.g. T214/G-4DW). The UV-stabilized thermo-plastic coating is applied in a multi step process of material preparation and finish application designed to permanently heat fuse and bond the finish to the steel. The thermo-plastic polyethylene finish is impact resistant, does not support mold or mildew, and the textured matte surface is less susceptible to marring and scuffing.
- **Optional:** Color choices of powder coated steel frame components. See Specification Bulletin #SPC-CO-001.
- **Optional:** Color choices of Thermo-plastic coated steel components. For optional colors choices see Specification Bulletin #SPC-CO-001.
- **Optional:** An umbrella is available. Please inquire for details.

RJ Thomas Mfg. Co., Inc.

PO Box 946 • Cherokee, IA 51012-0946 • PH: 712-225-5115 • 800-762-5002 • FAX: 712-225-5796
E-mail: pilotrock@rjthomas.com • Web Site: <http://www.pilotrock.com>

© 2008 RJ Thomas Mfg. Co., Inc. PILOT ROCK® Park Products is a registered trademark of RJ Thomas Mfg. Co., Inc.



ALL DIMENSIONS IN INCHES

RJ Thomas Mfg. Co., Inc.
 P.O. Box 946 • Cherokee, IA 51012-0946

DRAWN BY
WWM

TITLE MODEL T214 PORTABLE BOLT TOGETHER ROUND TABLE
 WITH D-TYPE THERMO-PLASTIC COATED EXPANDED STEEL TOP AND ROUND SEATS

DATE 3-03-10

DWG. NO. **AI-1669**