



Model TPT/CB-6AL/E embedded mount twin pedestal wheelchair accessible table with black powder coated frames, 6 ft. long seats with 8 ft. long top extended one end, with aluminum top and seats.

- **Permanent installation prevents theft**
- **Twin pedestal design allows easier cleaning under table**
- **Frames are hot-dip galvanized after fabrication for superior corrosion resistance**
- **Structurally reinforced extruded Aluminum top and seats with clear anodized finish**

AVAILABLE OPTIONS

- **Choice of colors of powder coat finish on steel frame components**
- **Powder coat finish in choice of colors on aluminum top and seats**
- **Surface mount base plate**

SPECIFICATIONS:

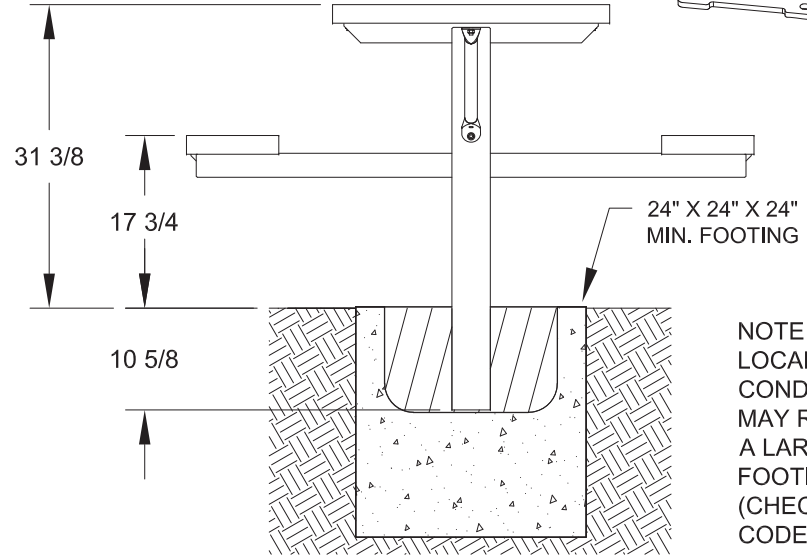
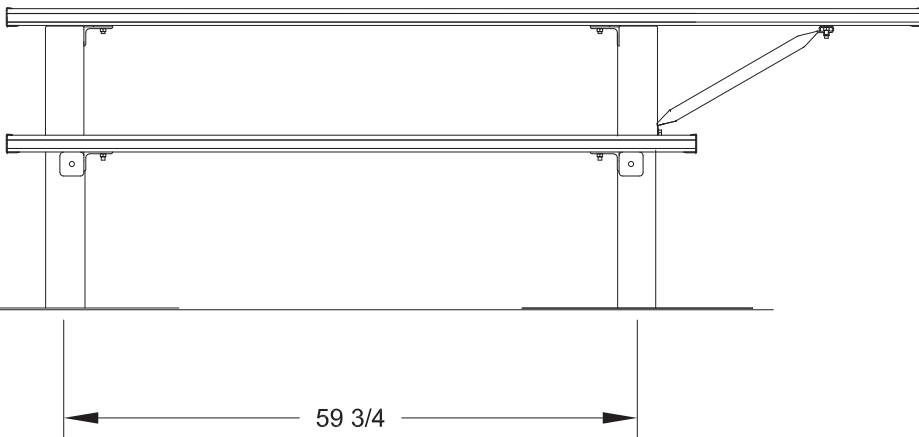
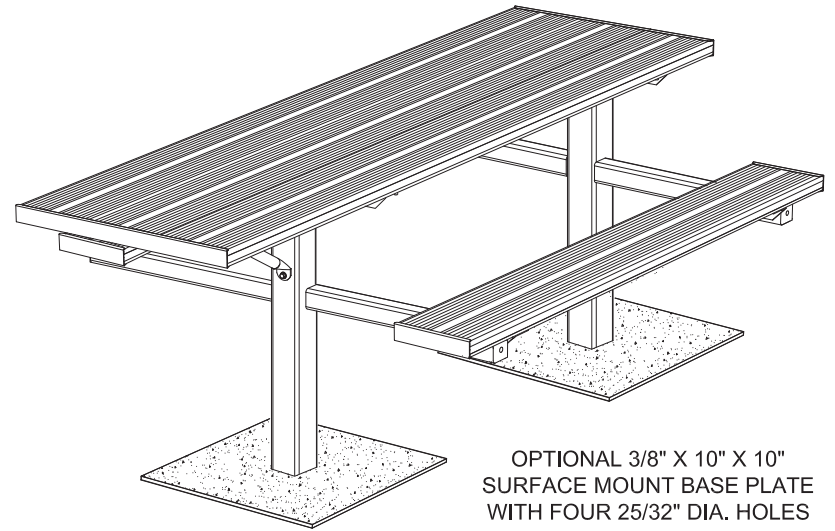
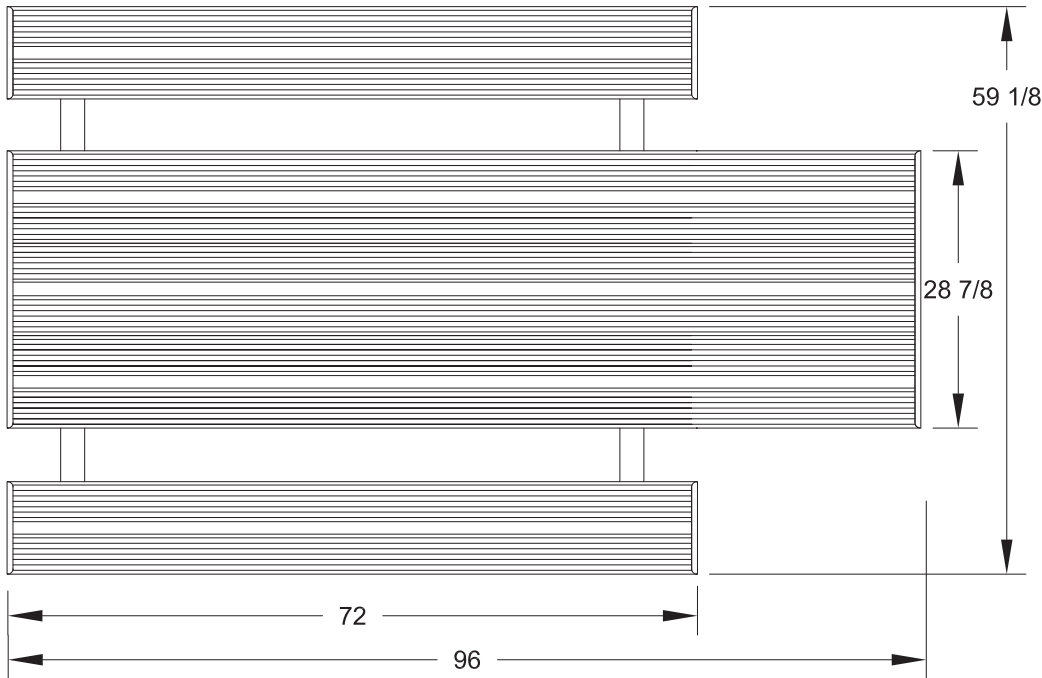
- **TPT Series** table frames are a one piece welded construction fabricated from a 1/8" wall x 4" x 4" square tube vertical post with two 3/16" wall x 2-1/2" x 2-1/2" horizontal seat support arms with 2" x 3" x 3/16" A-36 structural grade steel angles for attaching the seats and top. Exposed ends of square tubing are permanently sealed with welded-on steel end caps. Frames are designed to be embedded in a concrete footing.
- Table top extends 2 ft. beyond seats (indicated by "E" in model no., e.g. TPT/G-6AL/E) to provide the ADA recommended wheelchair clearances of: 30" wide, 27" under table (ground to bottom of table top), and 24" total knee and toe clearance (19" + 5"). A diagonal brace of 1-5/16" O.D., hot-dip galvanized, steel pipe and a die-formed steel channel is provided to support extended portions of table top and maintain planks against warping.
- **Model TPT/G-6AL/E** has a nominal 8 ft. long top and 6 ft. long seats.
- Nominal table height is 31-3/8". Nominal seat height is 17-3/4".
- **Standard:** All steel frame components are hot-dip galvanized after fabrication to ASTM-A123 to maintain an average zinc coating of 2.0 oz. per sq. ft. of surface area (indicated by "G" in model no., e.g. TPT/G-6AL/E).
- Aluminum is extruded 6063-T6 aluminum alloy in planks with dimensions equivalent to that of 2" x 10" nominal sized lumber. The plank design is 1-3/4" x 9-5/8" with four structural reinforcement ribs for greater rigidity. Aluminum planks are provided with a clear anodized finish as per anodizing specification 204 R1. Aluminum clips to fasten planks to frames are included.
- Channel end caps are of extruded 6063-T6 aluminum alloy provided with a clear anodized finish as per anodizing specification 204 R1. End caps are press fitted over ends of aluminum planks and mechanically fastened in place at the factory.
- Table top is assembled into single unit at the factory with one-piece end caps across each end.
- All galvanized fasteners are provided for assembly.
- **Optional:** All steel frame components have powder coat finish. See Specification Bulletin #SPC-CO-001.
- **Optional:** Aluminum top and seats have powder coat finish in a choice of colors. See Specification Bulletin #SPC-CO-001.
- **Optional:** Frames shall be provided with a 3/8" x 10" x 10" steel base plate to bolt table to existing concrete pad. To specify add /P after the TPT in the model no., e.g. TPT/P/G-6AL/E. (Anchor bolts not included.)

RJ Thomas Mfg. Co., Inc.

PO Box 946 • Cherokee, IA 51012-0946 • PH: 712-225-5115 • 800-762-5002 • FAX: 712-225-5796

E-mail: pilotrock@rjthomas.com • Web Site: <http://www.pilotrock.com>

© 2019 RJ Thomas Mfg. Co., Inc. PILOT ROCK® Park Products is a registered trademark of RJ Thomas Mfg. Co., Inc.



NOTE:
LOCAL SOIL
CONDITIONS
MAY REQUIRE
A LARGER
FOOTING
(CHECK LOCAL
CODES)

ALL DIMENSIONS IN INCHES

RJThomas Mfg. Co., Inc.
P.O. Box 946 • Cherokee, IA 51012-0946

DRAWN BY
JGJ

TITLE TPT SERIES 6 FOOT TWIN PEDESTAL WHEELCHAIR ACCESSIBLE EMBEDDED
MOUNT TABLE WITH ALUMINUM TOP AND SEATS

DATE 02-22-2019

DWG. NO. **AI-3003**