



Model TPT/CA-6PW/E embedded mount twin pedestal wheelchair accessible table with gray powder coated frames, 6 ft. long seats with 8 ft. long top extended one end, with brown colored recycled plastic top and seats.

- **Permanent installation prevents theft**
- **Twin pedestal design allows easier cleaning under table**
- **Frames are hot-dip galvanized after fabrication for superior corrosion resistance**
- **100% recycled plastic top and seat planks with solid color and U.V. stabilizer for ultraviolet protection**
- **Pregalvanized steel channel reinforcements under table top and seats**

SPECIFICATIONS:

- **TPT Series** table frames are a one piece welded construction fabricated from a 1/8" wall x 4" x 4" square tube vertical post with two 3/16" wall x 2-1/2" x 2-1/2" horizontal seat support arms with 2" x 3" x 3/16" A-36 structural grade steel angles for attaching the seats and top. Exposed ends of square tubing are permanently sealed with welded-on steel end caps. Frames are designed to be embedded in a concrete footing.
- Table top extends 2 ft. beyond seats (indicated by **“E”** in model no., e.g. TPT/G-6PC/E) to provide the ADA recommended wheelchair clearances of: 30" wide, 27" under table (ground to bottom of table top), and 24" total knee and toe clearance (19" + 5"). A diagonal brace of 1-5/16" O.D., hot-dip galvanized, steel pipe and a die-formed steel channel is provided to support extended portions of table top and maintain planks against warping.
- **Model TPT/G-6PC/E** has a nominal 8 ft. long top and 6 ft. long seats.
- Nominal table height is 31-1/2". Nominal seat height is 18".
- **Standard:** All steel frame components are hot-dip galvanized after fabrication to ASTM-A123 to maintain an average zinc coating of 2.0 oz. per sq. ft. of surface area (indicated by **“G”** in model no., e.g. TPT/G-6PC/E).
- **Standard:** Top and seats are made of 100% recycled plastic molded into 2" x 10" nominal sized planks with solid cedar colored (indicated by **“PC”** in model no., e.g. TPT/G-6PC/E) formed throughout and a U.V. stabilizer added for ultra-violet protection.
- Recycled plastic top and seat planks are supported by pregalvanized steel subframe channels.
- All galvanized fasteners are provided for assembly.
- **Optional:** All steel frame components have powder coat finish. See Specification Bulletin #SPC-CO-001.
- **Optional:** Color choices of Recycled Plastic components. See Specification Bulletin #SPC-CO-001.
- **Optional:** Frames shall be provided with a 3/8" x 10" x 10" steel base plate to bolt table to existing concrete pad. To specify add **“P”** after the TPT in the model no., e.g. TPT/P/G-6PC/E. (Anchor bolts not included.)

AVAILABLE OPTIONS

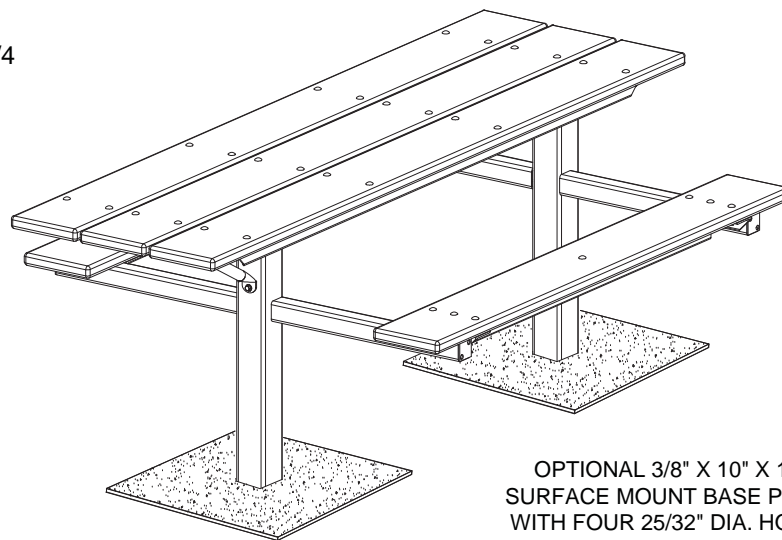
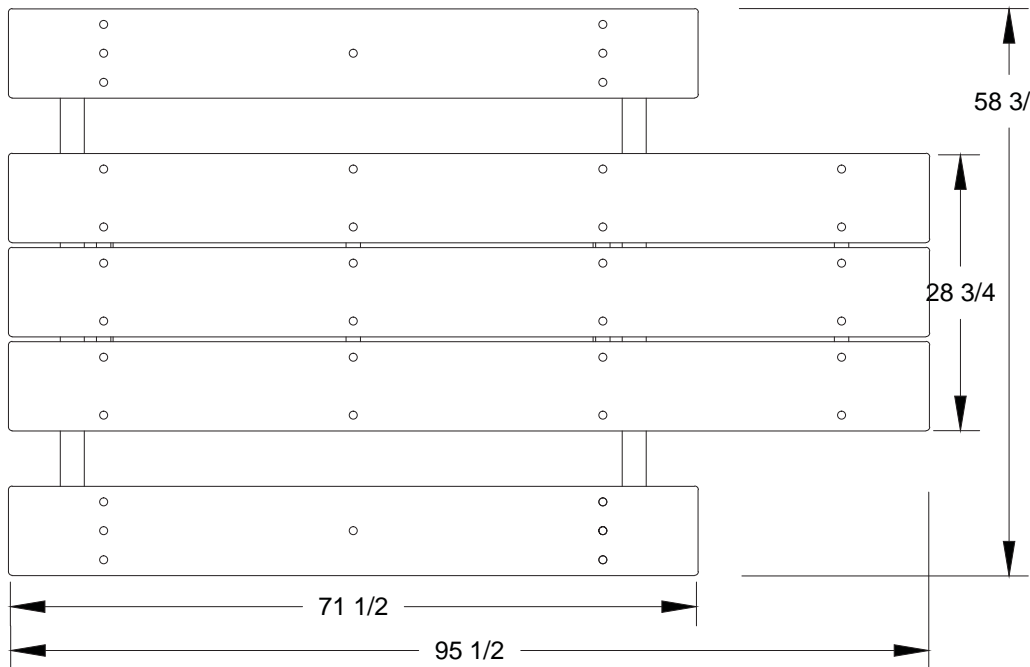
- Choice of colors of powder coat finish on steel frame components
- Choice of colors of recycled plastic
- Surface mount base plate

RJ Thomas Mfg. Co., Inc.

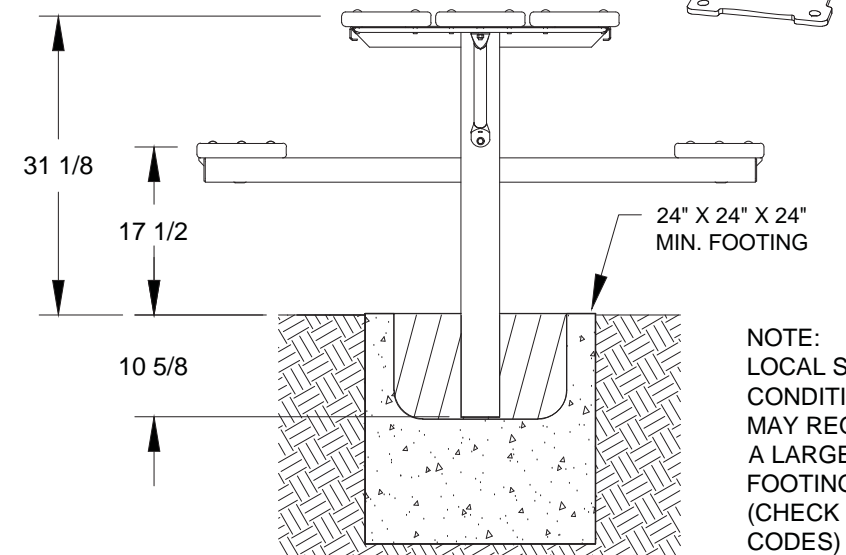
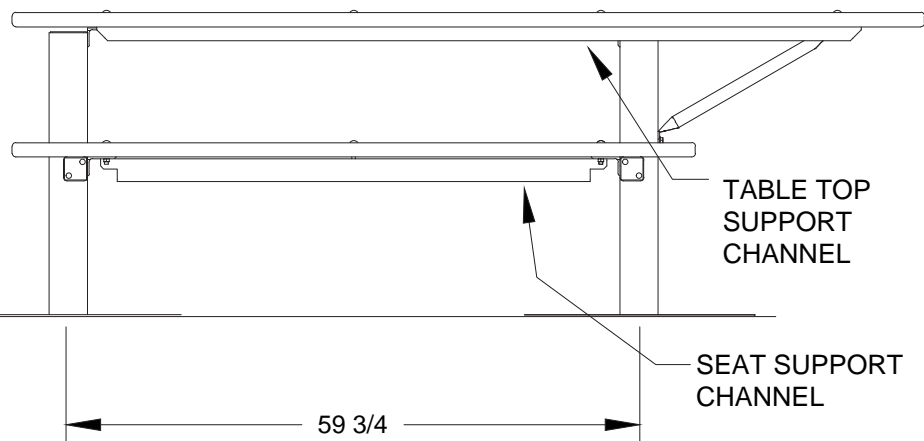
PO Box 946 • Cherokee, IA 51012-0946 • PH: 712-225-5115 • 800-762-5002 • FAX: 712-225-5796

E-mail: pilotrock@rjthomas.com • Web Site: <http://www.pilotrock.com>

© 2018 RJ Thomas Mfg. Co., Inc. PILOT ROCK® Park Products is a registered trademark of RJ Thomas Mfg. Co., Inc.



OPTIONAL 3/8" X 10" X 10"
SURFACE MOUNT BASE PLATE
WITH FOUR 25/32" DIA. HOLES



NOTE:
LOCAL SOIL
CONDITIONS
MAY REQUIRE
A LARGER
FOOTING
(CHECK LOCAL
CODES)

ALL DIMENSIONS IN INCHES

RJThomas Mfg. Co., Inc.
P.O. Box 946 • Cherokee, IA 51012-0946

DRAWN BY
JGJ

TITLE TPT SERIES 6 FOOT TWIN PEDESTAL WHEELCHAIR ACCESSIBLE EMBEDDED
MOUNT TABLE WITH RECYCLED PLASTIC TOP AND SEATS

DATE 07-27-2018

DWG. NO. **AI-3000**