



Model TRH/G-32TP24 Trash Receptacle Holder with Hot Dip Galvanized steel frame rings and Treated #1 Southern Yellow Pine 2" x 4" slats. Shown with Model CN-PD/B-27 Black Pilot Rock Molded Plastic Dome Hatch Lid

- **32 gallon capacity**
- **Welded Steel Frame Ring Fabrication**
- **Treated #1 Southern Yellow Pine 2" x 4" slats**
- **Large choice of lid, liner, and mounting options**

MOUNTING OPTIONS

- Model M2/G Embedded Pedestal Mount:**
elevated concrete embedded installation
- Model M3/G Surface Pedestal Mount:**
elevated base plate on concrete installation
- Model M6/B Surface Ground Anchors:**
four steel rod anchors for temporary location in lawns or on soft dirt.

CAN AND LINER OPTIONS

- Model CNG-2310C:** Regular-duty, 31 gal. capacity, galvanized steel can
- Model CN/B-1827:** 36 gal. capacity, heavy-duty, rigid plastic liner
- Model CN-4132C:** 30 gal. capacity, plastic liner
- Model CNG-WHD32C:** Federal Duty, 32 gal. capacity, galvanized steel can

SPECIFICATIONS:

- **Model TRH-32 Series** trash receptacle holders are designed to hold most commercially available 30 to 32 gal. garbage containers.
- Model TRH-32 frames are a set of two welded rings. Top ring is constructed from 10 ga. x 2-3/8" formed steel angle rolled, flanged inward, to a 22-5/32" I.D. circular ring. Base ring is constructed from 10 ga. x 2" formed steel angle rolled, flanged outward, to a 22-7/16" I.D. circular ring, reinforced with die-formed cross braces of 10 ga. x 2" steel bar.
- All fasteners are provided for assembly.
- Assembled receptacle is a nominal 30" high.
- **Standard:** Rings are hot-dip galvanized after fabrication to ASTM-A123 to maintain an average zinc coating of 2.0 oz. per sq. ft. of surface area (indicated by "/G" in model no., e.g. TRH/G-32TP24).
- **Standard:** Lumber is nominal 2" x 4" (indicated by "24" in model no., e.g. TRH/G-32TP24) #1 grade Southern Yellow Pine pressure treated (KDAT) to preserve wood against decay.
- All lumber is precision drilled for assembly and has all exposed edges removed to a 3/8" radius.
- **Optional:** All steel frame components have powder coat finish. See Specification Bulletin #SPC-CO-001.

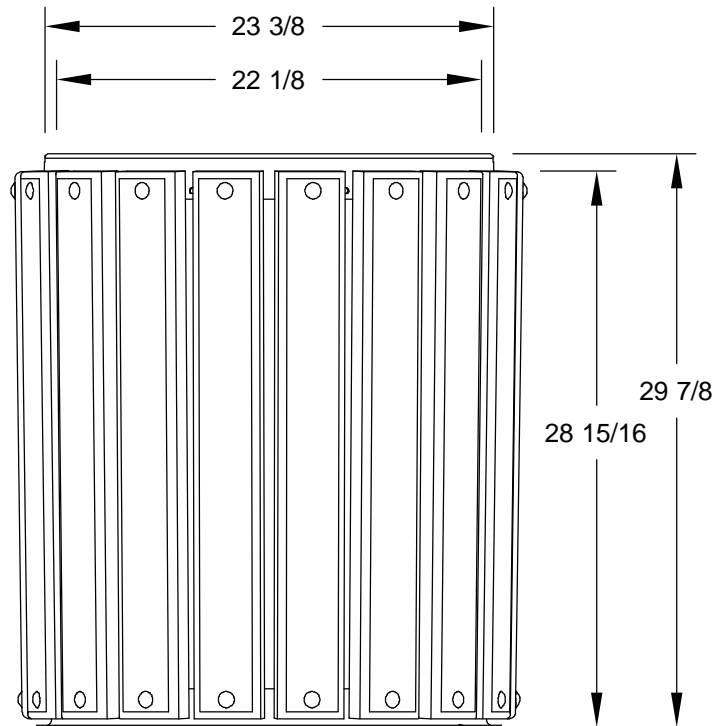
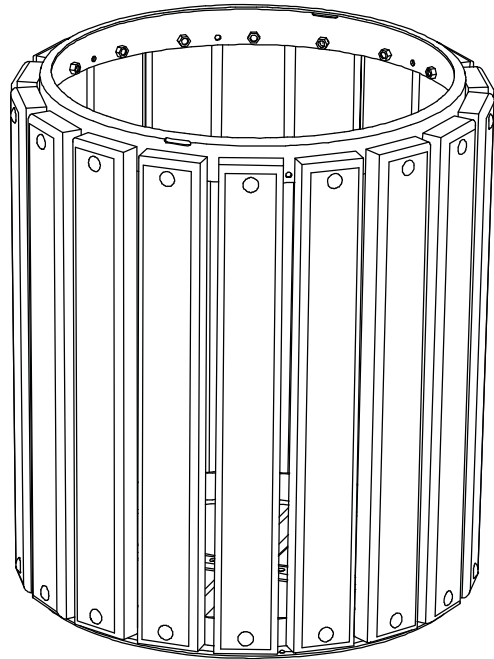
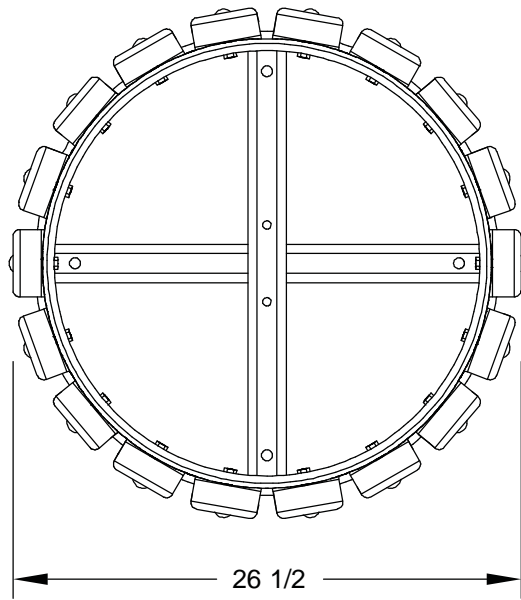
LID OPTIONS

- **Model CN-PD/◆-24** Pilot Rock Plastic Dome Hatch Lid
 - **Model CN-PD/◆-27** Pilot Rock Plastic Dome Hatch Lid
 - **Model CN-PD/◆-24PC Series** Pilot Rock Plastic Dome Recycling Lid
 - **Model CN-PD/◆-27PC Series** Pilot Rock Plastic Dome Recycling Lid
 - **Model CN/◆-4455** Plastic Dome Hatch Lid
 - **Model CN/G-5555** Galvanized or Powder Coated Steel Dome Hatch Lid
 - **Model CN-SDR-24** Plastic Dome lid.
 - **Model T◆-24X** Flat Steel Lid
 - **Model T◆-24** Flat Steel Lid with a spring-loaded 10" dia. Hatch
 - **Model T◆-24PC Series** Flat Steel Recycling Lids with 3" dia. opening, with 4-3/8" dia. opening, or with 5-7/8" dia. opening
 - **Model T/◆-2410** Flat Steel Lid with 10" opening
 - **Model T/◆-2410R** Flat Steel Lid with 10" opening and rain cover
 - **Model T/◆-2410A** Flat Steel Lid with 10" opening, rain cover and ashtray
 - **Model T/◆-246** Recycling Lid, flat, Thermo-plastic Coated Steel with 5-3/4" dia. opening
 - **Model CN/B-1825** Flat Molded Plastic Lid with 10" center opening
 - **Model CN/B-55FT** Flat Molded Plastic Lid with 15" center opening
 - **Model CN/B-3030** Black Molded Plastic Canopy Lid with openings at each end
 - **Model CN-PR/◆-24PC Series** Recycled Plastic Flat Lids with 3" dia. opening, with 4-3/8" dia. opening or with 5-7/8" dia. opening
- ◆ Indicates choice of finish or color — Inquire for specific model options

RJ Thomas Mfg. Co., Inc.

PO Box 946 • Cherokee, IA 51012-0946 • PH: 712-225-5115 • 800-762-5002 • FAX: 712-225-5796
 E-mail: pilotrock@rjthomas.com • Web Site: <http://www.pilotrock.com>

© 2019 RJ Thomas Mfg. Co., Inc. PILOT ROCK® Park Products is a registered trademark of RJ Thomas Mfg. Co., Inc.



ALL DIMENSIONS IN INCHES

RJThomas
Mfg. Co., Inc.
 P.O. Box 946
 Cherokee, IA 51012

TITLE TRH-32 SERIES ROUND TRASH AND RECYCLING RECEPTACLE
 HOLDER WITH 2 X 4 INCH LUMBER SLATS

DRAWN BY **WWM**

DATE 12-10-08

DWG. NO. **AI-1701**